

DATE	
PROJECT	
TYPE	

FEATURES

- Wet location rated
- Vandal resistant polycarbonate lens
- Low profile housing with integral driver
- Soft diffuse lighting
- Up to 119 LPW
- Black powder coat standard
- 5 year warranty
- Designed and assembled in the USA



SPECIFICATIONS

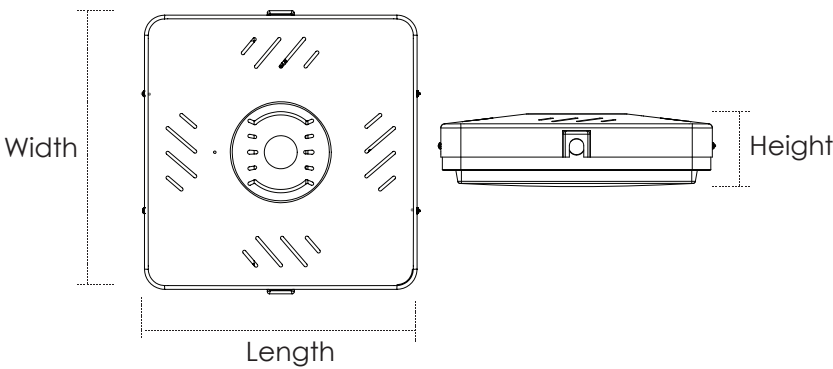
PERFORMANCE				
Model	CRI	Lumens	Watts	LPW
SSP-60-50K	> 80	7,580	63.7	119
SSP-60-40K		7,392	63.1	117

* Performance measured at 120 VAC

ELECTRICAL	
Input Voltage	120-277 Vac
Input Current	SSP-60: .64 - .30A
Operating Temp.	-20°C to +50°C -4°F to +122°F
Power Factor	> 0.9
THD	< 20%

CONSTRUCTION	
Housing	Steel
Finish	Powder Coat
Lens Cover	Diffused Polycarbonate
Mounting	Surface (J-box), Hook

CONSTRUCTION



DIMENSIONS				
Model	Length	Width	Height	Weight
SSP	16.5" (419.1mm)	17.2" (436.9mm)	4.4" (111.8mm)	19 lbs. max (8.6kg)

ORDERING INFORMATION

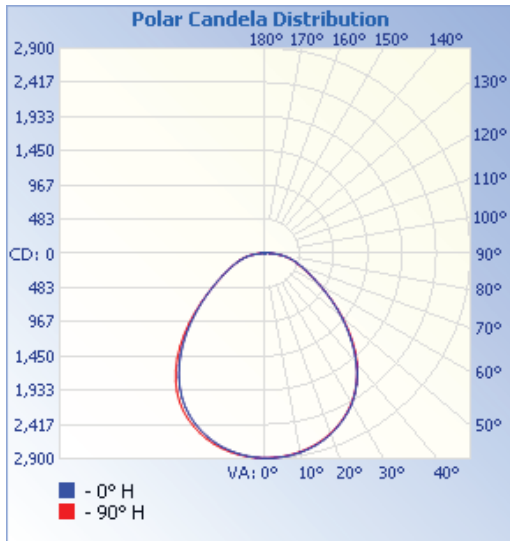
SERIES	WATTAGE	COLOR TEMP.	LENS	OPTIONS	MOUNTING ACC.	DIMMING OPTIONS	VOLTAGE	PLUG
SSP	60 = 60 Watts	50K = 5000K 40K = 4000K	PD = Polycarbonate Diffused	NON = None DME = Daylight/ Motion Embedded MSE = Motion Sensor Embedded B10 = Battery Backup (10W)	SM = Surface Mount PM = Pendant Mount HM = Hook Mount	AD = 0-10 Dimming ND = No Dimming	U = 120-277	PN = No Plug P1 = L5-1Sp P2 = L6-1Sp P3 = L7-1Sp

Example: SSP-60-50K-PD-NON-SM-AD-U-PN

StarSlim Pro™

PHOTOMETRICS: SSP-60-50K

POLAR CANDELA DISTRIBUTION



ISOFOOTCANDLE PLOT

