

DATE	
PROJECT	
TYPE	

FEATURES

- Wet location rated
- Forward throw with full 90° cutoff
- Vandal resistant polycarbonate lens
- Photocell option available
- Up to 111 LPW
- 5 year warranty
- Made in the USA



SPECIFICATIONS

PERFORMANCE

Model	CRI	Lumens	Watts	LPW
SPK-60-50K	> 80	6,315	56.7	111
SPK-60-40K		6,073	57.1	106

* Performance measured at 120 VAC

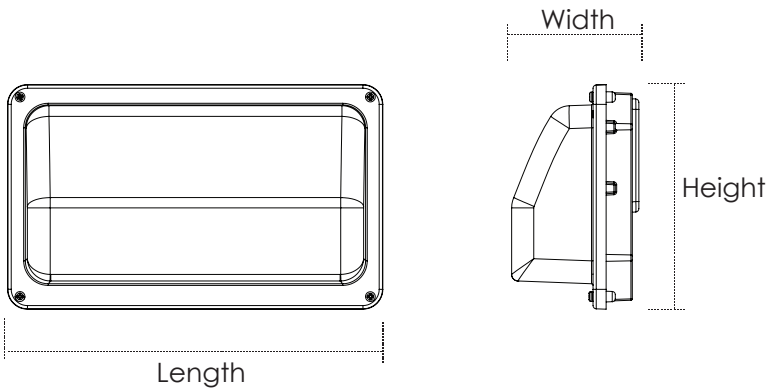
ELECTRICAL

Input Voltage	120-277 Vac
Input Current	SPK-60: .64 - .30A
Operating Temp.	-20°C to +50°C -4°F to +122°F
Power Factor	> 0.9
THD	< 20%

CONSTRUCTION

Housing	Aluminum Casting/ Polycarbonate Cover
Finish	Powder Coat
Lens Cover	Polycarbonate
Mounting	Surface, J-box

CONSTRUCTION



Dimensions

Model	Length	Width	Height	Weight
SPK	14.3" (363.2mm)	4.9" (124.5mm)	8.6" (218.4mm)	9 lbs. max (4.1kg)

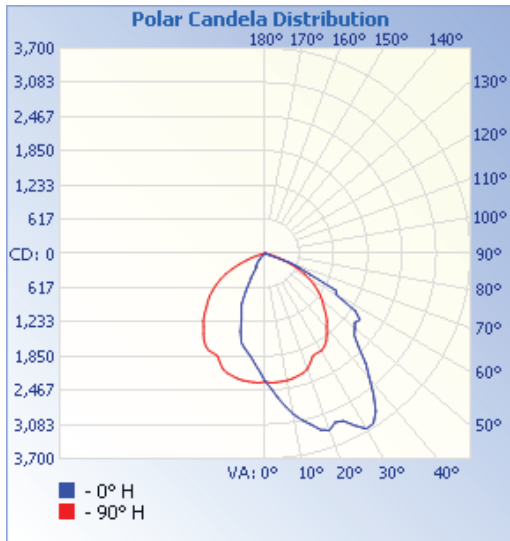
ORDERING INFORMATION

SERIES	WATTAGE	COLOR TEMP.	FINISH	OPTIONS	Voltage
SPK	60 = 60 Watts	50K = 5000K 40K = 4000K	PB = Powder Coat Black PO = Powder Coat Other	NON = None PHC = Photocell SRG = Surge Protector	U = 120 - 277

Example: **SPK-60-50K-PB-NON-U**

PHOTOMETRICS: SPK-60-40K

POLAR CANDELA DISTRIBUTION



ISOFOOTCANDLE PLOT

