

Safety Information

- To reduce the risk of death, personal injury or property damage from fire, electric shock, falling parts, cuts/abrasions, and other hazards read all warnings and instructions included with and on the fixture box and all fixture labels.
- Before installing, servicing or performing routine maintenance upon this equipment, follow these general precautions.
- Installation, service and maintenance of luminaires should be performed by a qualified licensed electrician.
- To prevent wiring damage or abrasion, do not expose wiring to edges of sheet metal or other sharp objects.
- Do not alter any open holes in an enclosure of wiring or electrical components during kit installation.
- Do not install damaged product.
- Suitable for damp locations.

▲WARNING

RISK OF FIRE OR ELECTRICAL SHOCK

- Luminaires wiring, power supply or other electrical parts may be damaged when drilling for insatllation of retrofit kit hardware. Inspect wiring and components for damage.
Le Cablage des luminaires, les blocs d'alimentation ou les autres composants electriques peuvent subir des dommages lors du perçage en vue d'installer la quincaillerie d'un necessaire de modernisation. Verifier si les cables et les composants sont endommages.
- Installation of this retrofit kit requires a person familiar with the construction and operation of the luminaire's electrical system and the hazard involved.
L'installation de ce necessaire de modernisation exige une personne familiere avec la construction et le fonctionnement du systeme electrique du luminaire et des risques associes. Toute personne qui n'est pas qualifiee ne doit faire aucune tentative d'installation et doit contacter un electricien qualifie.
- Install this kit only in the luminaire that has the construction features and dimensions shown in the photographs and/or drawings and where the input rating of the retrofit kit does not exceed the input rating of the luminaire.
N'installer ce necessaire que dans le luminaire don't les caraceristiques de construction et les dimensions sont conforme a celles illustrees dans les photos et/ou les dessins et don't la puissance d'entrée nominale du necessaire de modernisation ne depasse pas celle du luminaire.

- Only those open holes indicated in the photographs and/or drawings may be made or altered as a result of kit installation. Do not leave any other open holes in an enclosure of wiring or electrical components.

Seuls les ouvertures indiquees dans les photos et/ou les dessins peuvent etre faits ou modifies a la suite de l'installation du necessaire. Il est interdit de laisser d'autres ouvertures dans un boitier de cablage ou de composants electriques.

- The retrofit kit is accepted as a component of a luminaire where the suitability of the combination shall be determined by authorities having jurisdiction. Product must be installed by a qualified electrician in accordance with the applicable and appropriate electrical codes. The installation guide does not supersede local or national regulations for electrical installations.

Le necessaire de modernisation est accepte a titre de composant d'un luminaire lorsque la pertinence de la combinaison doit etre determinee par les autorites competentes. Ce produit doit etre mis en place par un electricien qualifie conformement aux codes electriques appropries applicables. Le guide d'installation ne supplante pas les reglements locaux ou nationaux en matiere d'installations electriques.

Provided Parts List

The components have been packed to avoid damage during transit. Inspect the components to confirm there is no physical damage. Do not install damaged components.

The carton consist of:

- Retrofit fixture (SS-R-X)
- 8-32 x .375 hex head self drilling screws

Installation Instructions

Single 4' & 8' Fixture (See Fig. 1, 2, & 3)

1. Turn power off at building's main breaker and verify existing fixture is de-energized.
2. Remove fluorescent bulbs, top cover, and fluorescent fixture sockets from existing fixture.
3. In existing fixture, identify branch circuit leads connected to ballast and cut.
4. Remove ballast from existing fixture.
5. Connect branch circuit wires to the black & white of the retro-fit fixture, and connect the green building ground wire to the green ground wire on the fixture.
6. Connect green ground wire on retrofit fixture to pan ground.
7. Secure retro-fit fixture to the existing base using the 8-32 self-drilling screws provided.

Single Driver Two Fixtures (See Fig. 4 & 5)

1. Turn power off at building's main breaker and verify existing fixture is de-energized
2. Remove fluorescent bulbs, top cover, and fluorescent fixture sockets from both existing fixtures.
3. In existing fixtures, identify branch circuit leads connected to ballast and cut. In child fixture, cap with NRTL approved wire nuts.
4. Remove ballast from existing fixtures.
5. Connect green ground wire on child retrofit fixture to pan ground.
6. Secure child fixture to housing using 8-32 x .375 hex head self-drilling screws provided.
7. Feed wires from child to parent fixture pan.
Warning: Do not connect any child wiring to any existing wiring in original fixture.
8. Connect wires from child fixture to connectors on parent fixture. Red wire to connector with red wire. Blue wire to connector with blue wire.
9. Connect branch circuit wiring to the black and white wires of the parent fixture and connect the green building ground wire to the green ground wire on the fixture.
10. Connect green ground wire on parent retrofit fixture to pan ground.
11. Secure parent fixture to housing using 8-32 x .375 hex head self-drilling screws provided.

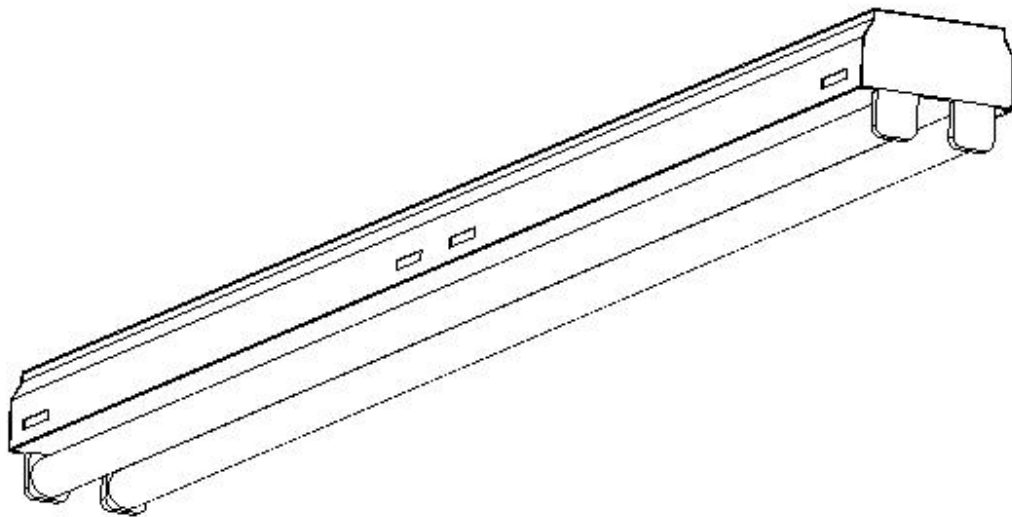


Figure 1 (Existing Fixture)

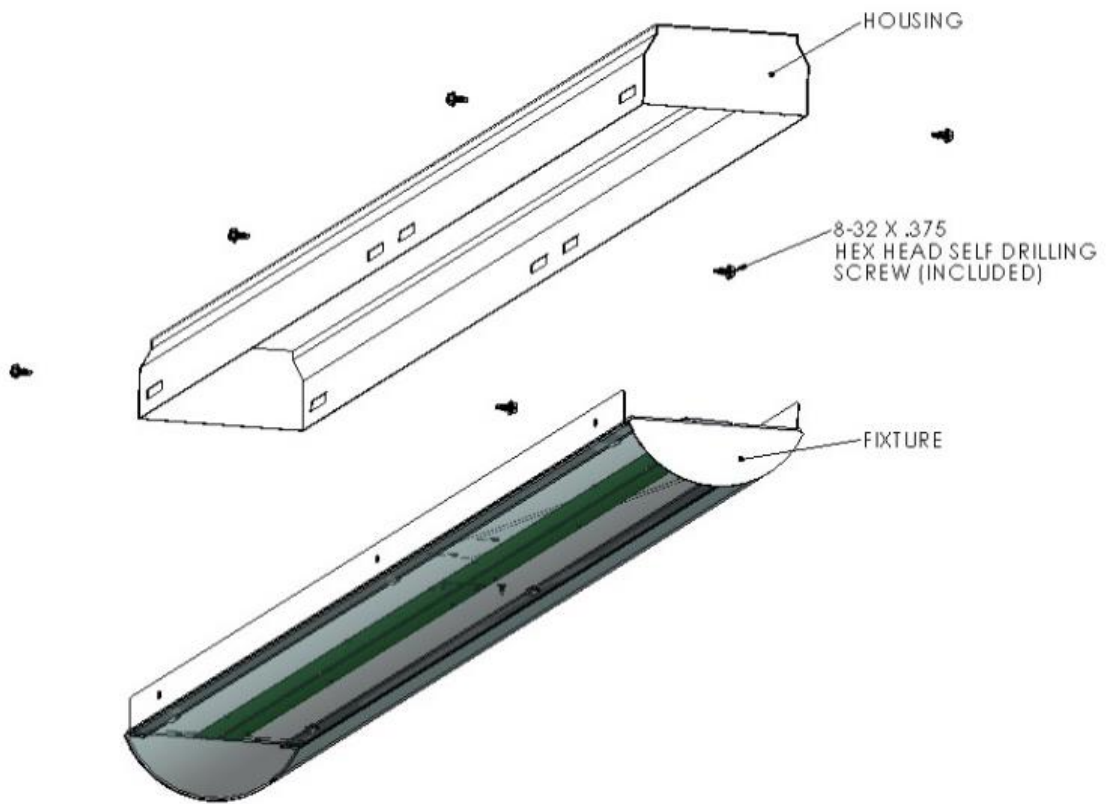


Figure 2 (Single 8' & 4' Installation)

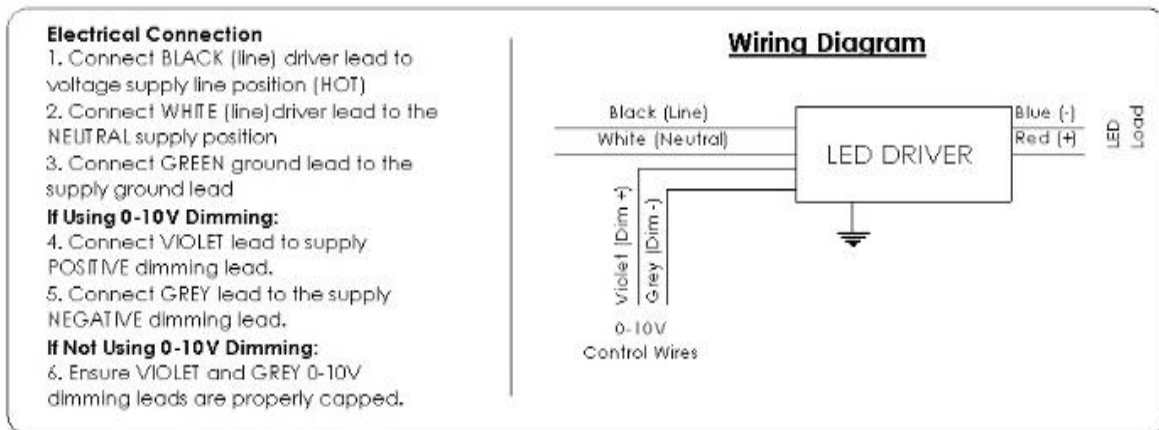


Figure 3 (Single 8' & 4' Wiring Diagram)

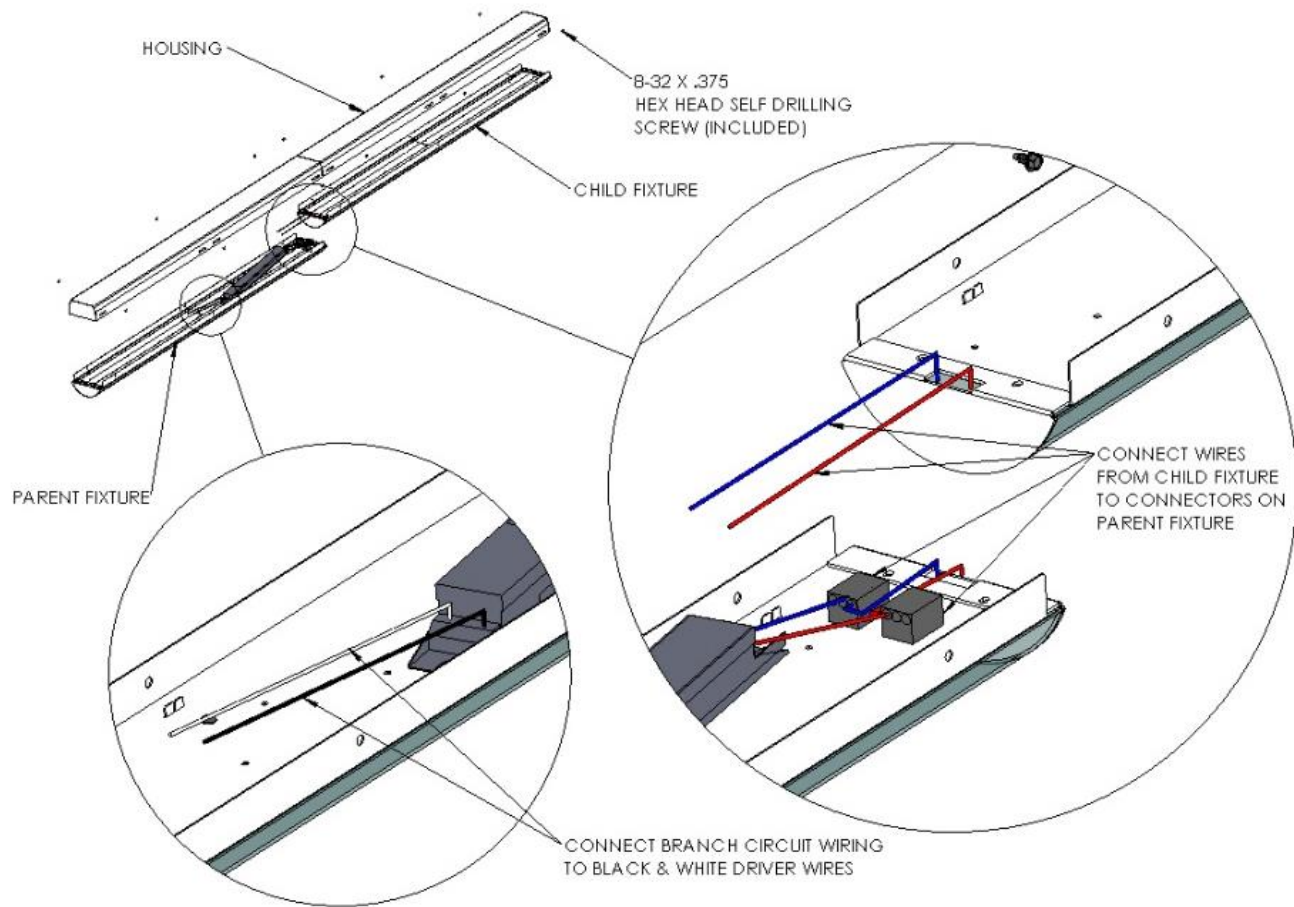


Figure 4 (Single Driver 2 Fixtures)

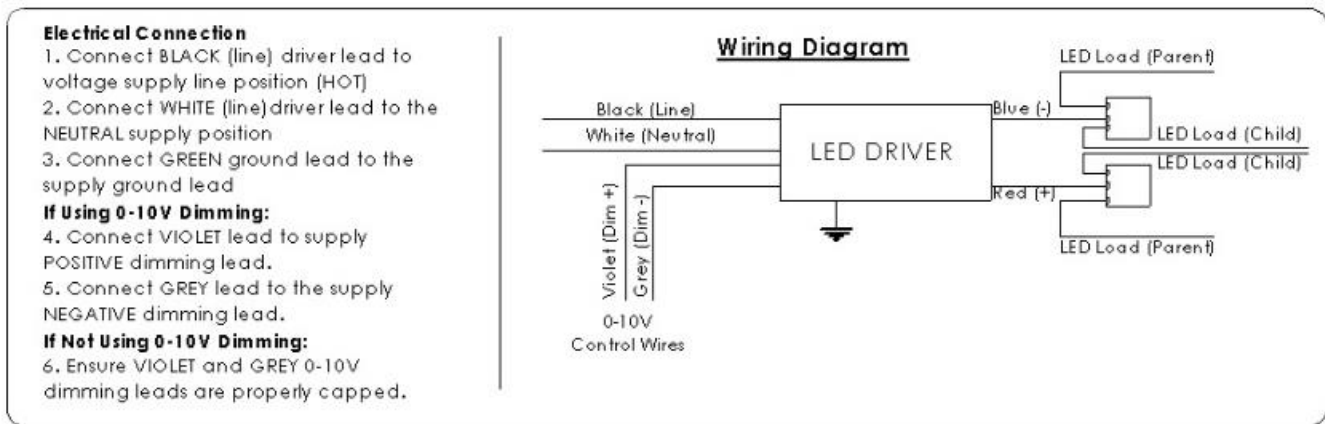


Figure 5 (Single Driver 2 Fixtures Wiring Diagram)