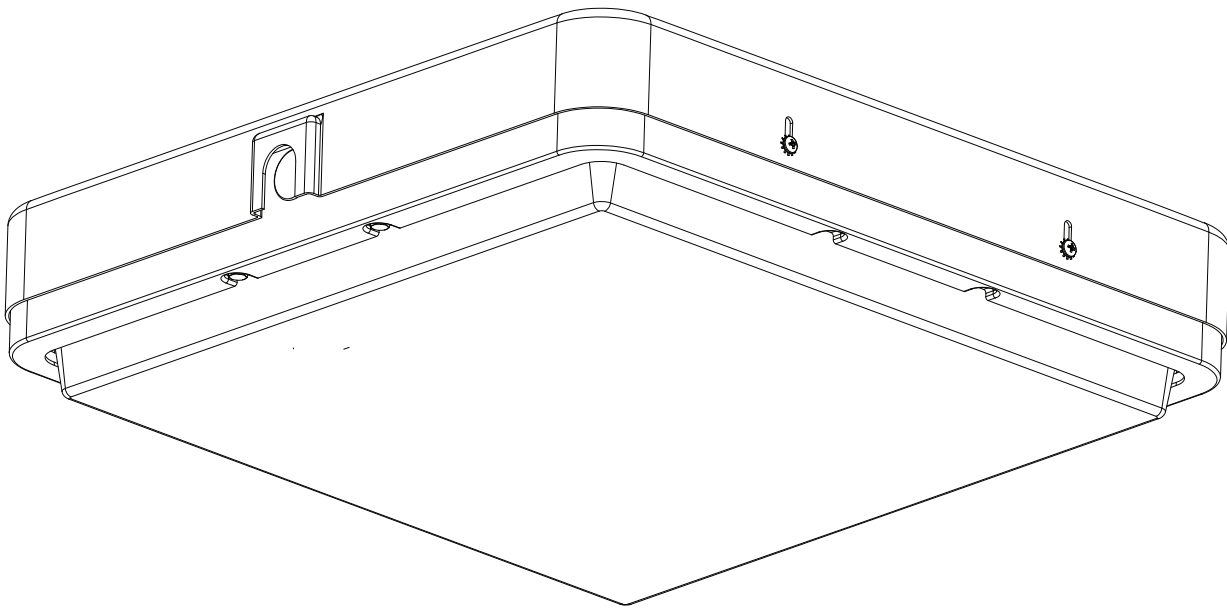


IMPORTANT: Read carefully before installation and retain for future reference.
NOTE: Installation must be conducted by licensed electrician.

StarSlim Pro LED Luminaire



MODEL #'s

SSP-x-x (Wet Location)

SSP-x-B10 (Damp Location)

1: Introduction













The light is designed to illuminate commercial, industrial and institutional locations.

StarSlim Pro can be operated from any nominal 120-277V, 50/60Hz AC supply without any variation in light output. Dimmable models are compatible with 0-10V dimmers.

Models SSP-x-x are all suitable for wet location per UL 1598.

Models SSP-x-B10 are all suitable for damp location per UL 1598.

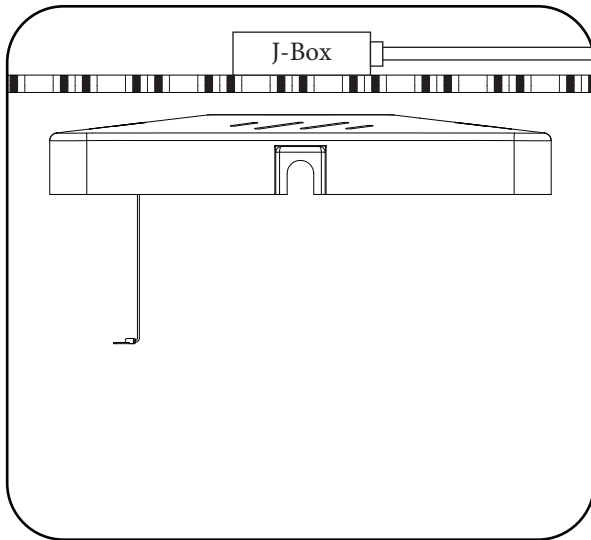
2: Warnings

-  **SUITABLE FOR WET LOCATIONS. (SSP-x-x)**
CONVIENT AUX EMBLEMENTS MOUILLÉS.
-  **SUITABLE FOR DAMP LOCATIONS. (SSP-x-B10)**
CONVIENT AUX EMBLEMENTS HUMIDES.
-  **THIS PRODUCT MUST BE INSTALLED IN ACCORDANCE WITH THE APPLICABLE INSTALLATION CODE BY A PERSON FAMILIAR WITH THE CONSTRUCTION AND OPERATION OF THE PRODUCT AND THE HAZARDS INVOLVED.**
CE PRODUIT DOIT ÊTRE INSTALLÉ SELON LE CODE D'INSTALLATION PERTINENT, PAR UNE PERSONNE QUI CONNAÎT BIEN LE PRODUIT ET SON FONCTIONNEMENT AINSI QUE LES RISQUES INHÉRENTS.
-  **REMOVE PRODUCT FROM PACKAGING AND CONFIRM IT IS FREE OF DAMAGE PRIOR TO INSTALLATION.**
ENLEVEZ LE PRODUIT DE L'EMBALLAGE ET VERIFIEZ QU'IL N'EST PAS ENDOMMAGE AVANT L'INSTALLATION.
-  **DISCONNECT POWER PRIOR TO ANY INSTALLATION.**
DÉBRANCHEZ LE COURANT AVANT TOUTE INSTALLATION.
-  **CAP ALL WIRING CONNECTIONS WITH UL APPROVED WIRE CONNECTORS.**
COUVRIR TOUTES LES CABLES AVEC DES CONNECTIONS APPROUVES (UL).
-  **VERIFY SUPPLY VOLTAGE MEETS LUMINAIRE LABEL SPECIFICATIONS.**
VÉRIFIEZ QUE LA TENSION SOIT COMPATIBLE AVEC LES CARACTÉRISTIQUES DU LUMINAIRE MARQUE SUR L'ÉTIQUETTE.
-  **ALLOW FIXTURE TO COOL BEFORE TOUCHING HEATSINK OR LIGHT SOURCE.**
LAISSEZ LE PROJECTEUR REFROIDIR AVANT DE TOUCHER LE RADIATEUR OU LA SOURCE DE LUMIÈRE.
-  **DO NOT ATTEMPT TO OPEN OR MAKE REPAIRS INSIDE LUMINAIRE.**
NE PAS TENTER D'OUVRIER OU DE FAIRE DES REPARATIONS A L'INTERIEUR DU LUMINAIRE.
-  **CLEAN LENS, WHENEVER NECESSARY, WITH CLEAN WARM WATER OR A NON-ABRASIVE EPA APPROVED SOLUTION WHICH WILL NOT SCRATCH SURFACE.**
NETOYEZ L'OBJECTIF CHAQUE FOIS QUE NECESSAIRE, A L'EAU TIEDE PROPRE OU AVEC UNE SOLUTION NON ABRASIVE EPA APPROUVEE, ET QUI NE RAYERA PAS LA SURFACE.
-  **AVOID DIRECT VIEWING OF LIGHT SOURCE.**
EVITEZ DE REGARDER DIRECTMENT LA SOURCE LUMINEUSE.
-  **THIS PRODUCT MUST BE INSTALLED BY A QUALIFIED ELECTRICIAN.**
CE PRODUIT DOIT ÊTRE INSTALLÉ PAR UN ÉLECTRICIEN QUALIFIÉ.

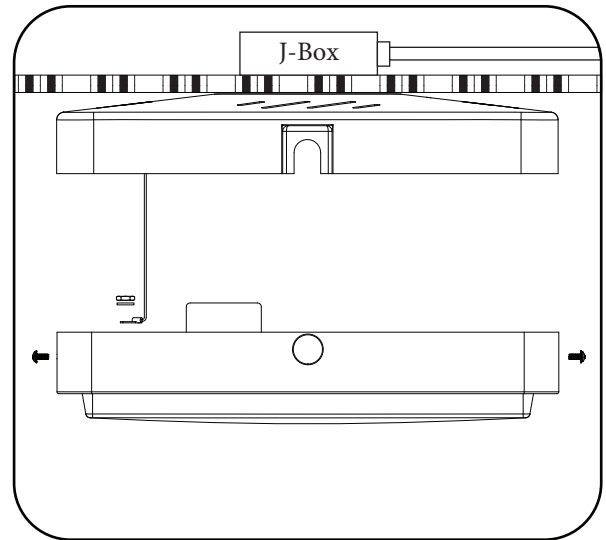
3: Installation Instructions:

1. Shut off power.
2. Inspect mounting location for damage.
3. Remove StarSlim Pro from package and inspect for damage.

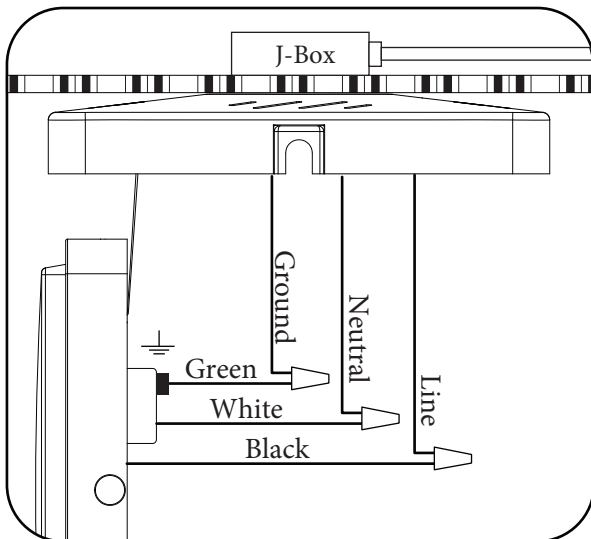
SURFACE MOUNTING



1. Mount top shroud of luminaire to surface.
*Use NRTL listed weatherproof j-box, cover and strain relief when mounting in wet environment.

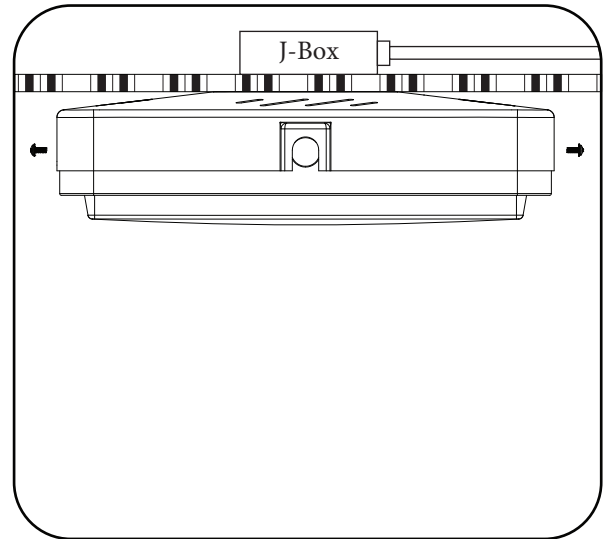


2. Attach steel cable to bottom half of luminaire.



3. Wire the luminaire using NRTL listed wire connectors. Refer to fig.1 for 0-10 dimming wiring diagram. Flexible conduit can be fed into luminaire through 7/8" holes either side fixture.

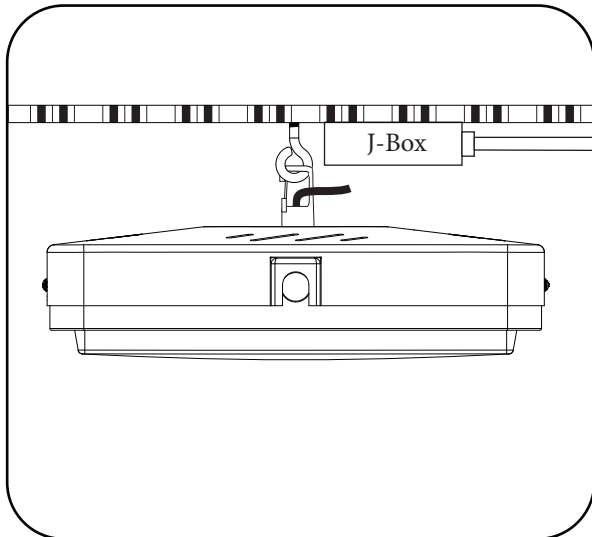
*Use NRTL listed waterproof wire connectors when mounting in wet environment.



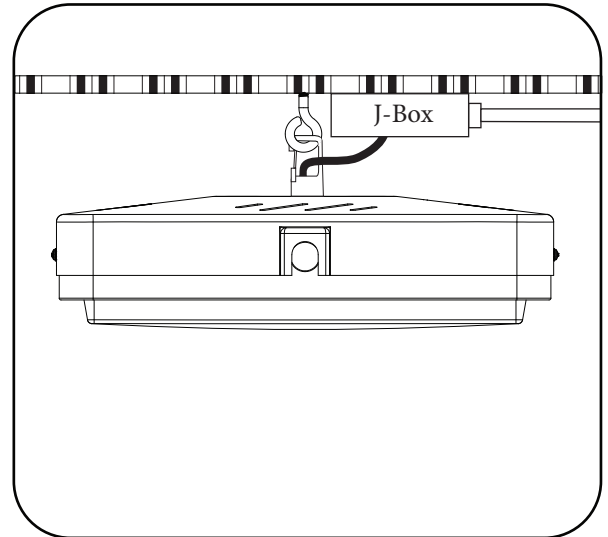
4. Lift bottom half of luminaire into top shroud and affix using (4) supplied 8-32 bolts.

SUSPENDED MOUNT

* Follow all UL, NEC and minimum load rating guidelines when selecting and installing eye bolts or other mounting/ suspending hardware.



1. Use attached hook to suspend luminaire.



2. Wire the luminaire using NRTL listed wire connectors. Refer to fig.1 for dimming wire diagram.

*Use NRTL listed weatherproof j-box, cover and strain relief when mounting in wet environment.

3. Alternatively, the StarSlim Pro can be suspended with threaded rod or pipe.

