

**▲WARNING**

**ALL MODELS:**

- **THIS PRODUCT MUST BE INSTALLED IN ACCORDANCE WITH THE APPLICABLE INSTALLATION CODE BY A PERSON FAMILIAR WITH THE CONSTRUCTION AND OPERATION OF THE PRODUCT AND THE HAZARDS INVOLVED.**  
*CE PRODUIT DOIT ETRE INSTALLE SELON LE CODE D'INSTALLATION PERTINENT, PAR UNE PERSONNE QUI CONNAIT BIEN LE PRODUIT ET SON FONCTIONNEMENT AINSI QUE LES RISQUES INHERENTS.*
- **DISCONNECT POWER PRIOR TO ANY INSTALLATION.**  
*DEBRANCHEZ LE COURANT AVANT TOUTE INSTALLATION.*
- **CAP ALL WIRING CONNECTIONS WITH UL APPROVED WIRE CONNECTORS.**  
*COUVRIR TOUTES LES CABLES AVE DES CONNECTIONS APPROUVES (UL).*
- **VERIFY SUPPLY VOLTAGE MEETS LUMINAIRE LABEL SPECIFICATIONS.**  
*VERIFIEZ QUE LA TENSION SOIT COMPATIBLE AVEC LES CARACTERISTIQUES DU LUMINAIRE MARQUE SUR LETIQUETTE.*
- **ALLOW FIXTURE TO COOL BEFORE TOUCHING HEATSINK OR LIGHT SOURCE.**  
*LAISSEZ LE PROJECTEUR REFOIDIR AVANT DE TOUCHER LE RADIATEUR OU LA SOURCE DE LUMIERE.*
- **DO NOT ATTEMPT TO OPEN OR MAKE REPAIRS INSIDE LUMINAIRE.**  
*NE PAS TENTER DOUVIRIR OU DE FAIRE DES REPARATINS A L'INTERIEUR DU LUMINAIRE.*
- **AVOID DIRECT VIEWING OF LIGHT SOURCE.**  
*EVITEZ DE REGARDER DIRECTMENT LA SOURCE LUMINEUSE.*
- **THIS PRODUCT MUS BE INSTALLED BY A QUALIFIED ELECTRICIAN.**  
*CE PRODUIT DOIT ITRE INSTALLE PAR UN ELECTRICIEN QUALIFIE.*
- **SUITABLE FOR UNDER-CABINET MOUNT.**  
*ADAPTE POUR SOUS-CABINET MOUNT.*
- **SUITABLE FOR DAMP LOCATION.**  
*ADAOTE POUR DES ENDROITS HUMIDES.*
- **MIN 105° C SUPPLY CONDUCTORS.**  
*MIN 105° C ALIMENTATION CONDUCTEURS.*

## Provided Parts List

The components have been packed to avoid damage during transit. Inspect the components to confirm there is no physical damage. Do not install damaged components. The carton contains the following:

- StarPower Link or StarPower Wide Link Fixture
- Mounting Brackets and Hardware (may be attached to fixture depending on mounting type)
- Installation Manual

## Mounting Options

Inspect mounting location for damage. Make sure the structure can support the weight of the StarPower fixture. Follow all UL, NEC and minimum load rating guidelines when selecting and installing mounting hardware for the fixture.

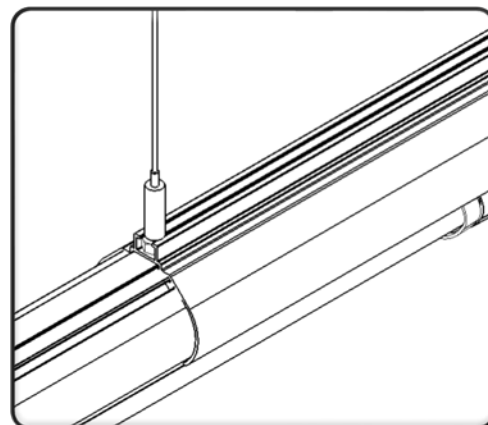
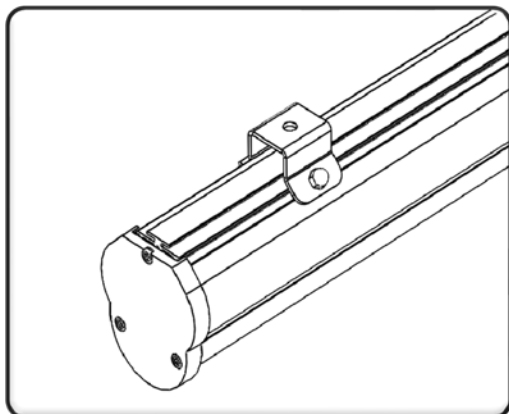
StarPower Fixture Weight
4 ft. fixture: 8 lbs. max
8 ft. fixture: 16 lbs. max

## Pendant Mount Instructions

- ❖ *Only 1 mounting point is needed per every 8' of the StarPower Link system. Either the Pendant Mount or the Pendant Sleeve Cover satisfy the mounting requirement.*

**Pendant Mount:** Pendant Mount Fixtures come standard with adjustable gripper that accepts 1/16" aircraft cable. Adjust gripper location by loosening 6-32 cap nuts and sliding into position anywhere along the top of the fixture. The Pendant Mount bracket also accepts 1/4" threaded rod or chain in lieu of grippers.

**Pendant Sleeve Cover:** The Pendant Sleeve Cover accepts a 1/4"-20 gripper which can be fastened to the top "hat" channel with a 1/4"-20 nut and an appropriately rated washer.

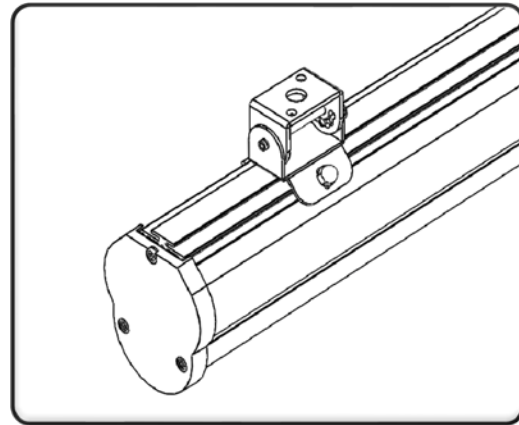
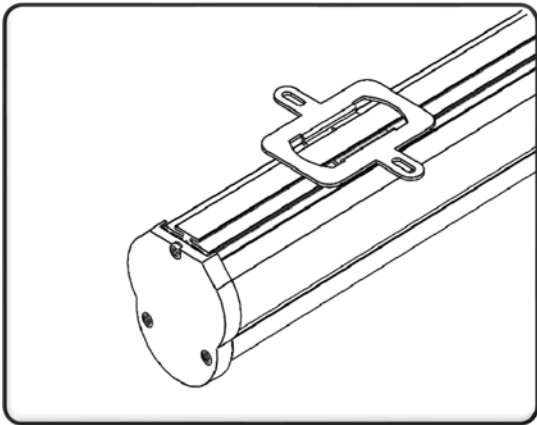


### Surface/Adjustable Mount Instructions

❖ *It is recommended that 2 mounts are used per every 8' of the StarPower Link System.*

**Surface Mt:** Slide the surface mounts to desired position and fasten the surface mount to the fixture with the set screw provided. Secure the surface mount bracket to the structure with appropriate hardware.

**Adjustable Mt:** Secure mounts to structure using appropriate hardware. The 6-32 cap nuts can be used to adjust the position of the mount.

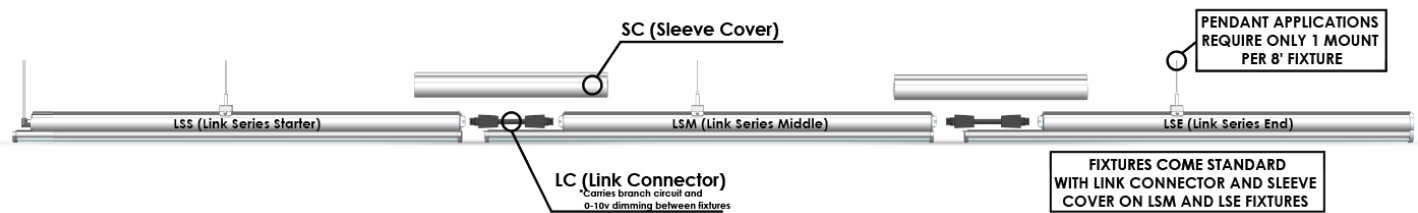


## Link Series (LSx) Installation

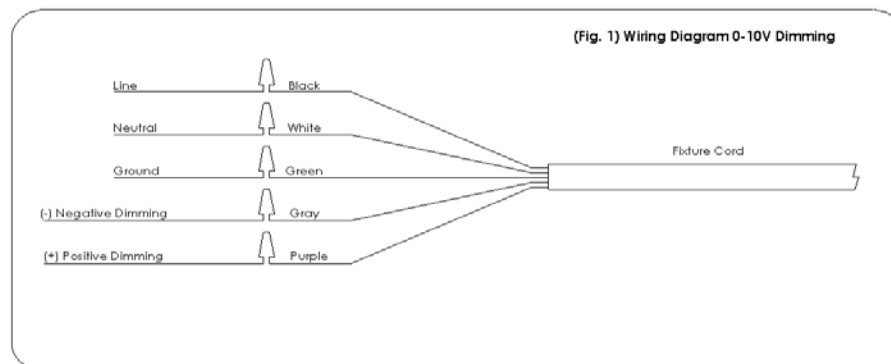
### System Overview

MAX LENGTH PER STARPOWER RUN		
Voltage	Std/Low Output	Hight Output
120 - 276	177 Ft	102 Ft
277	410 Ft	238 Ft

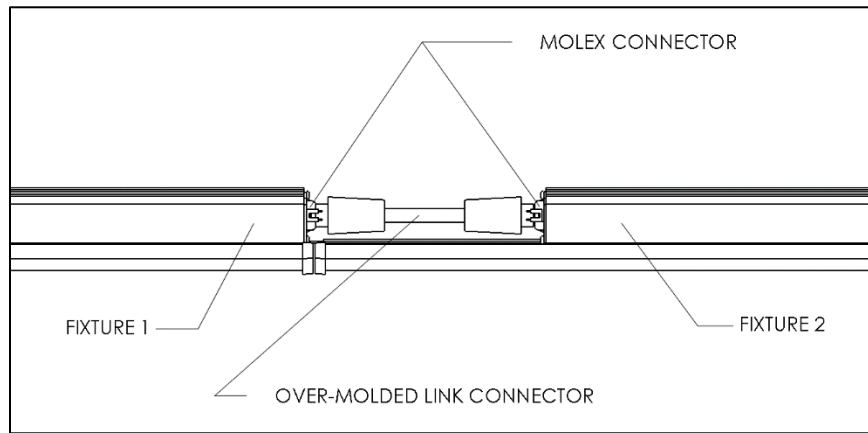
MAX LENGTH PER STARPOWER WIDE RUN	
Voltage	Std/Output
120 - 276	102 Ft
277	238 Ft



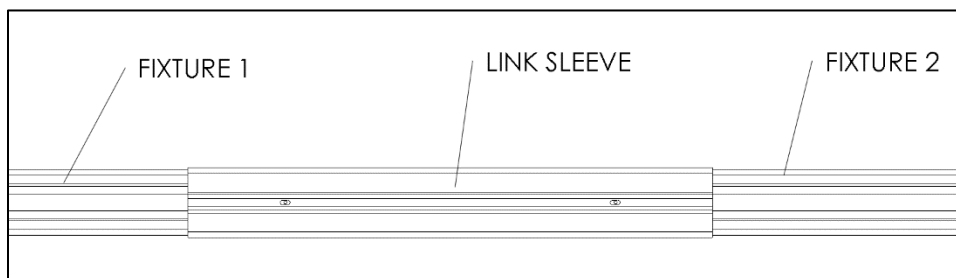
1. Power must be turned OFF prior to disconnecting or reconnecting the StarPower fixture.
2. Identify different fixture types for each row.
  - LSS (Link Series Starter): stripped wires/cord on one side, connector on the other side.
  - LSM (Link Series Middle): connector on both sides.
  - LSE (Link Series End): connector on one side; closed end cap on the other side.
3. Attach (LSS) fixture to structure. Connect (LSS) fixture wiring to line wire. Use only UL listed wiring devices. Mains wiring inside fixtures is rated 14AWG. Mains wiring connected by installer must be rated for the load per (NEC) National Electric Code and/or local electric code.



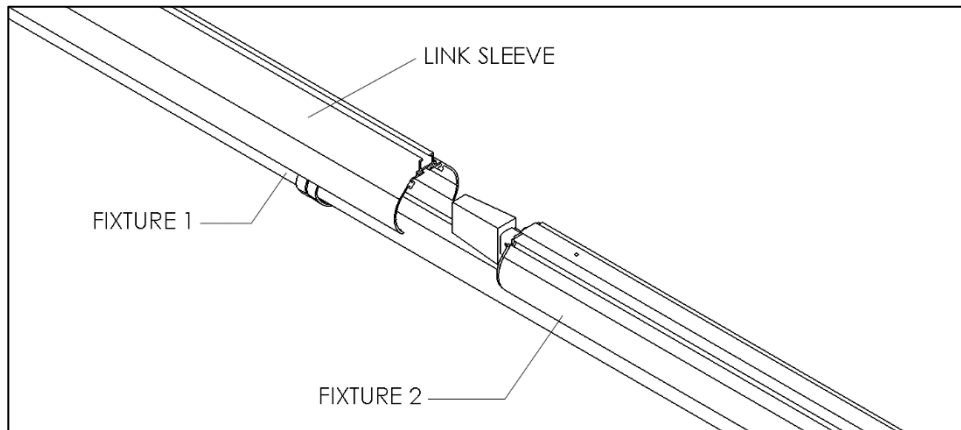
4. Support second fixture, either LSM or LSE depending on row length, and connect fixture 1 to fixture 2 with over-molded link connector (Fig. 2).
5. For pendant mount fixtures, line up slots in external sleeve with holes in fixture and lock external sleeve to both fixture 1 and fixture 2 (Fig. 3, 4, 5). For surface mount fixtures, sleeve cover is not fastened to the fixtures with hardware.
6. For pendant mount fixtures, the pendant mount sleeve can be used as a mounting point.
7. Repeat steps 3 through 7 for additional fixtures.
8. Restore power and verify operation.



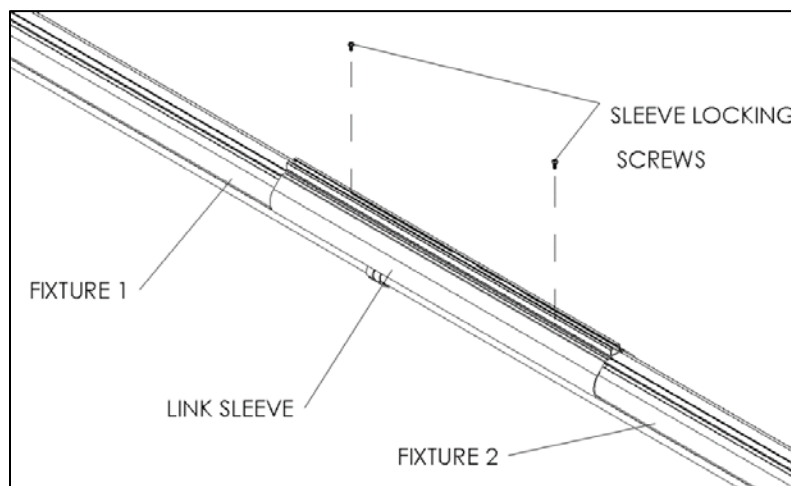
**Fig. 2**



**Fig. 3**



**Fig. 4**



**Fig. 5**

## **Battery Backup and Night Light Options**

### **B07A/B10A – Battery Backup with Unswitched Line (No – Night Light)**

Unswitched power provided to all battery backup fixtures in row. If power fails on the unswitched line, all battery backup fixtures come on for 90 minutes. The unswitched and switched lines must be on the same phase.

Black – Switched Line

Blue – Unswitched Line

White – Neutral

Green – Ground

Purple – Positive 0-10V Dimming (Optional)

Gray – Negative 0-10V Dimming (Optional)

### **B07B/B10B – Battery Backup with Night Light Option**

Blue wire powers night light feature. Any time that power fails on night light input, the battery is engaged. The night lights cannot be turned off without draining the battery. The black wire is used to provide mains wiring to fixtures without battery backup or night light functionality. Fixtures running on the black line can be turned off without affecting the battery.

Black – Switched Line

Blue – Unswitched Line (with Night Light)

White – Neutral

Green – Ground

Purple – Positive 0-10V Dimming (Optional)

Gray – Negative 0-10V Dimming (Optional)

### **NL – Night Light without Battery Backup**

Individual fixtures in a run can be designated as A or B fixtures. Both A and B fixtures need to be on the same phase.

Black – A Fixture

Blue – B Fixture

White – Neutral

Green – Ground

Purple – Positive 0-10V Dimming (Optional)

Gray – Negative 0-10V Dimming (Optional)