

▲WARNING

ALL MODELS:

- **THIS PRODUCT MUST BE INSTALLED IN ACCORDANCE WITH THE APPLICABLE INSTALLATION CODE BY A PERSON FAMILIAR WITH THE CONSTRUCTION AND OPERATION OF THE PRODUCT AND THE HAZARDS INVOLVED.**
CE PRODUIT DOIT ETRE INSTALLE SELON LE CODE D'INSTALLATION PERTINENT, PAR UNE PERSONNE QUI CONNAIT BIEN LE PRODUIT ET SON FONCTIONNEMENT AINSI QUE LES RISQUES INHERENTS.
- **DISCONNECT POWER PRIOR TO ANY INSTALLATION.**
DEBRANCHEZ LE COURANT AVANT TOUTE INSTALLATION.
- **CAP ALL WIRING CONNECTIONS WITH UL APPROVED WIRE CONNECTORS.**
COUVRIR TOUTES LES CABLES AVE DES CONNECTIONS APPROUVES (UL).
- **VERIFY SUPPLY VOLTAGE MEETS LUMINAIRE LABEL SPECIFICATIONS.**
VERIFIEZ QUE LA TENSION SOIT COMPATIBLE AVEC LES CARACTERISTIQUES DU LUMINAIRE MARQUE SUR LETIQUETTE.
- **ALLOW FIXTURE TO COOL BEFORE TOUCHING HEATSINK OR LIGHT SOURCE.**
LAISSEZ LE PROJECTEUR REFOIDIR AVANT DE TOUCHER LE RADIATEUR OU LA SOURCE DE LUMIERE.
- **DO NOT ATTEMPT TO OPEN OR MAKE REPAIRS INSIDE LUMINAIRE.**
NE PAS TENTER DOUVIRIR OU DE FAIRE DES REPARATINS A L'INTERIEUR DU LUMINAIRE.
- **AVOID DIRECT VIEWING OF LIGHT SOURCE.**
EVITEZ DE REGARDER DIRECTMENT LA SOURCE LUMINEUSE.
- **THIS PRODUCT MUS BE INSTALLED BY A QUALIFIED ELECTRICIAN.**
CE PRODUIT DOIT ITRE INSTALLE PAR UN ELECTRICIEN QUALIFIE.
- **SUITABLE FOR UNDER-CABINET MOUNT.**
ADAPTE POUR SOUS-CABINET MOUNT.
- **SUITABLE FOR DAMP LOCATION.**
ADAOTE POUR DES ENDROITS HUMIDES.
- **MIN 105° C SUPPLY CONDUCTORS.**
MIN 105° C ALIMENTATION CONDUCTEURS.

Provided Parts List

The components have been packed to avoid damage during transit. Inspect the components to confirm there is no physical damage. Do not install damaged components. The carton contains the following:

- StarPower or StarPower Wide Fixture
- Mounting Brackets and Hardware (may be attached to fixture depending on mounting type)
- Installation Manual

Mounting Options

Inspect mounting location for damage. Make sure the structure can support the weight of the StarPower fixture. Follow all UL, NEC and minimum load rating guidelines when selecting and installing mounting hardware for the fixture.

StarPower Fixture Weight
4 ft. fixture: 8 lbs. max
8 ft. fixture: 16 lbs. max

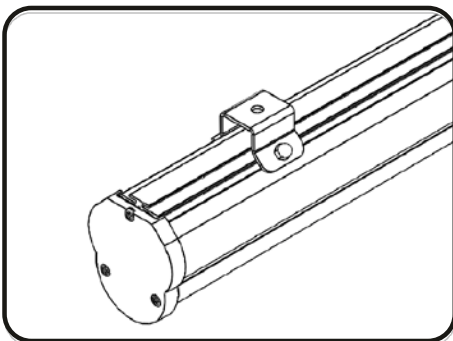
INDIVIDUAL (NON-LINKING) FIXTURES REQUIRE 2 MOUNTS PER FIXTURE.

Pendant Mount: Pendant Mount fixtures come standard with adjustable gripper that accept 1/16" aircraft cable. Adjust gripper location by loosening 6-32 cap nuts and sliding into position anywhere along the top of the fixture. The Pendant Mount bracket also accepts 1/4" threaded rod or chain in lieu of grippers.

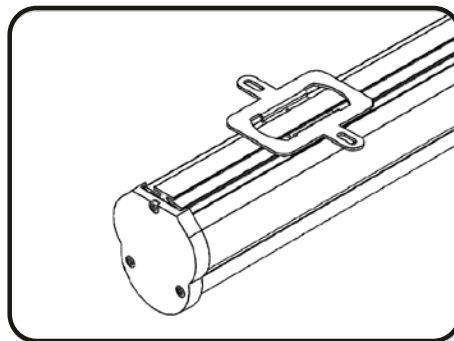
Surface Mount: Slide the mounts to desired position and secure with appropriate hardware.

Adjustable Mount: Secure mount to structure using appropriate hardware. The 6-32 cap nut can be used to adjust the position of the mount.

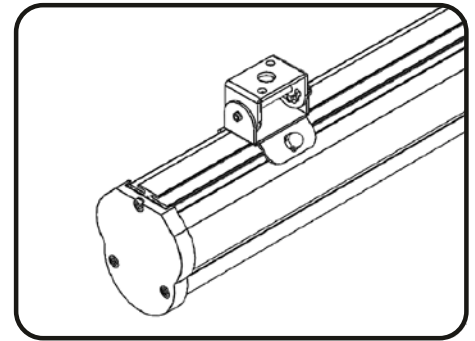
Pendant



Surface



Adjustable



External Cord (ECExxx) Installation

1. Power must be turned OFF prior to disconnecting or reconnecting the StarPower fixture.
2. If the fixture is not fitted with existing plug, connect fixture wiring to line wires. Use only UL listed wiring devices. Reference Fig. 1 for wiring. Purple and Gray leads are used for 0-10 dimming ONLY. Cap wires if not used.
3. Restore power and verify operation.

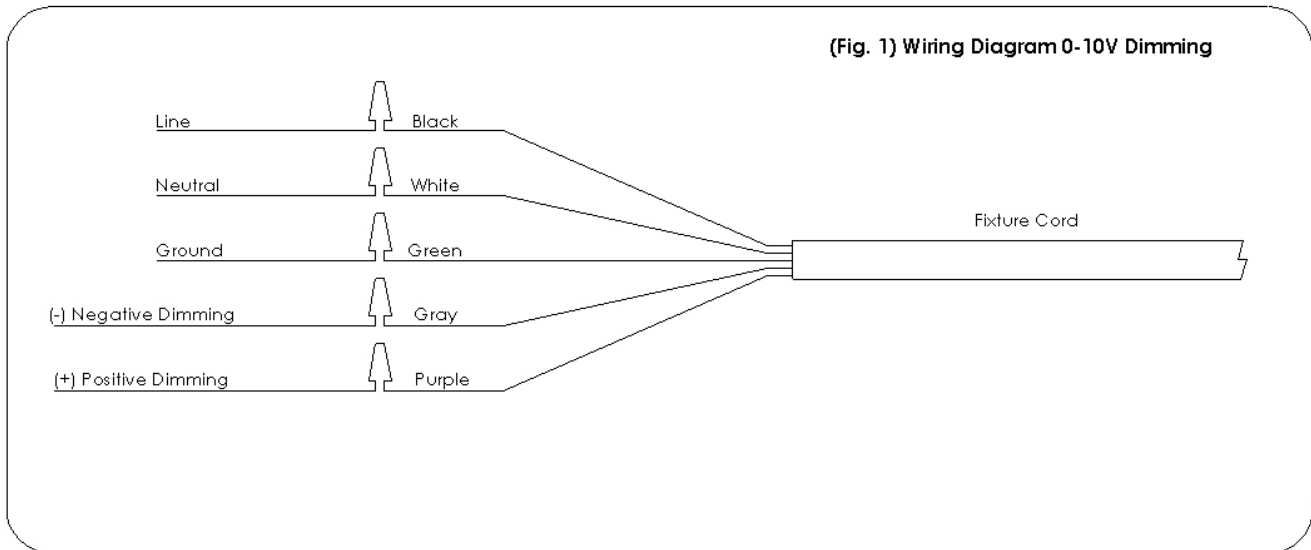


Fig. 1

Feed Conduit End (FCE) Installation

1. Power must be turned OFF prior to disconnecting or reconnecting the StarPower fixture.
2. Remove (3) screws securing end cap to access wiring compartment.
3. Connect 1/2" flexible conduit to metal end cap through 7/8" hole.
4. If fixture is not fitted with existing plug, connect fixture wiring to line wires. Use only UL listed wiring devices. Reference Fig. 1 for wiring. Purple and Gray leads are used for 0-10 dimming ONLY. Cap wires if not used.
5. Feed connections and wiring into fixture wiring compartment.

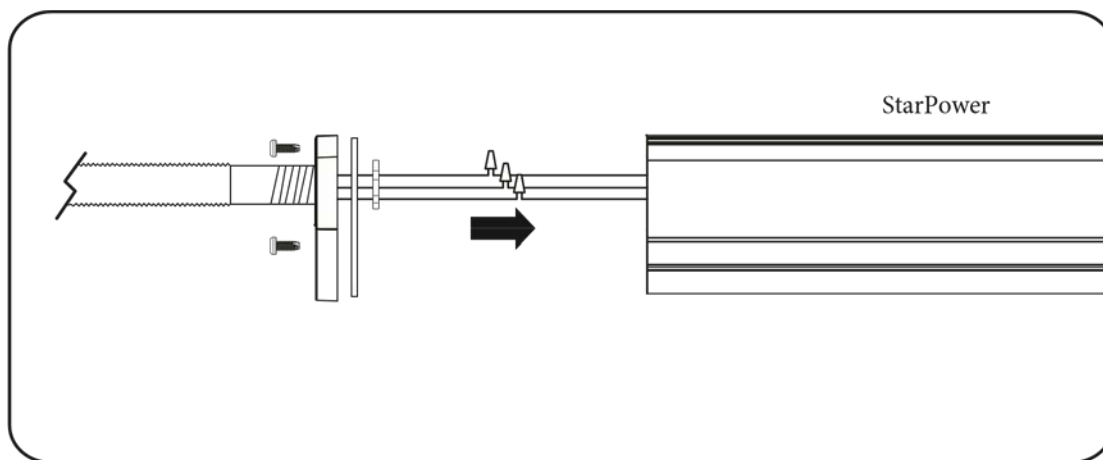


Fig. 2

6. Re-attach endcaps on both sides of the fixture. Repeat steps 2-5 as necessary for additional fixtures.
7. Restore power and verify operation.