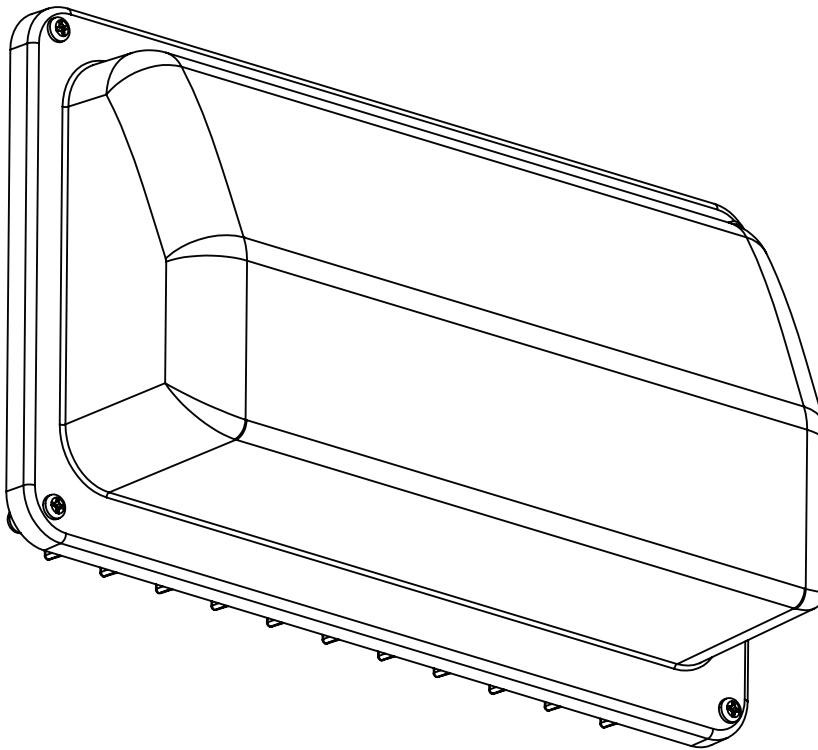


IMPORTANT: Read carefully before installation and retain for future reference.
NOTE: Installation must be conducted by licensed electrician.

StarPack LED Luminaire



MODEL #'s
SPK-x-x












1: Introduction

The light is designed to illuminate commercial, industrial and institutional locations.

StarPack can be operated from any nominal 120-277V, 50/60Hz AC supply without any variation in light output.

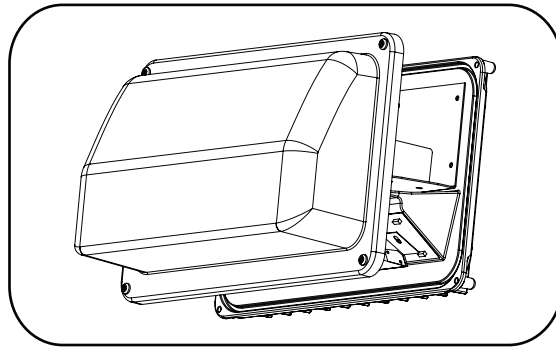
Models SPK-x-x are all suitable for wet location per UL 1598.

2: Warnings

-  **SUITABLE FOR WET LOCATIONS.**
CONVIENT AUX EMBLEMENTS MOUILLÉS.
-  **THIS PRODUCT MUST BE INSTALLED IN ACCORDANCE WITH THE APPLICABLE INSTALLATION CODE BY A PERSON FAMILIAR WITH THE CONSTRUCTION AND OPERATION OF THE PRODUCT AND THE HAZARDS INVOLVED.**
CE PRODUIT DOIT ÊTRE INSTALLÉ SELON LE CODE D'INSTALLATION PERTINENT, PAR UNE PERSONNE QUI CONNAÎT BIEN LE PRODUIT ET SON FONCTIONNEMENT AINSI QUE LES RISQUES INHÉRENTS.
-  **REMOVE PRODUCT FROM PACKAGING AND CONFIRM IT IS FREE OF DAMAGE PRIOR TO INSTALLATION.**
ENLEVEZ LE PRODUIT DE L'EMBALLAGE ET VERIFIEZ QU'IL N'EST PAS ENDOMMAGE AVANT L'INSTALLATION.
-  **DISCONNECT POWER PRIOR TO ANY INSTALLATION.**
DÉBRANCHEZ LE COURANT AVANT TOUTE INSTALLATION.
-  **CAP ALL WIRING CONNECTIONS WITH UL APPROVED WIRE CONNECTORS.**
COUVRIR TOUTES LES CABLES AVEC DES CONNECTIONS APPROUVES (UL).
-  **VERIFY SUPPLY VOLTAGE MEETS LUMINAIRE LABEL SPECIFICATIONS.**
VÉRIFIEZ QUE LA TENSION SOIT COMPATIBLE AVEC LES CARACTÉRISTIQUES DU LUMINAIRE MARQUE SUR L'ÉTIQUETTE.
-  **ALLOW FIXTURE TO COOL BEFORE TOUCHING HEATSINK OR LIGHT SOURCE.**
LAISSEZ LE PROJECTEUR REFROIDIR AVANT DE TOUCHER LE RADIATEUR OU LA SOURCE DE LUMIÈRE.
-  **DO NOT ATTEMPT TO OPEN OR MAKE REPAIRS INSIDE LUMINAIRE.**
NE PAS TENTER D'OUVRIER OU DE FAIRE DES REPARATIONS A L'INTERIEUR DU LUMINAIRE.
-  **CLEAN LENS, WHENEVER NECESSARY, WITH CLEAN WARM WATER OR A NON-ABRASIVE EPA APPROVED SOLUTION WHICH WILL NOT SCRATCH SURFACE.**
NETOYEZ L'OBJECTIF CHAQUE FOIS QUE NECESSAIRE, A L'EAU TIEDE PROPRE OU AVEC UNE SOLUTION NON ABRASIVE EPA APPROUVEE, ET QUI NE RAYERA PAS LA SURFACE.
-  **AVOID DIRECT VIEWING OF LIGHT SOURCE.**
EVITEZ DE REGARDER DIRECTMENT LA SOURCE LUMINEUSE.
-  **THIS PRODUCT MUST BE INSTALLED BY A QUALIFIED ELECTRICIAN.**
CE PRODUIT DOIT ÊTRE INSTALLÉ PAR UN ÉLECTRICIEN QUALIFIÉ.

3: Installation Instructions:

1. Shut off power.
2. Inspect mounting location for damage.
3. Remove StarPack from package and inspect for damage.
4. Determine mounting method and remove necessary knock-out(s) from back side of luminaire.
5. Remove polycarbonate cover.



6. Remove metal plate covering wiring compartment.

Junction Box Mount



WARNING: Apply continuous bead of weatherproof silicone between junction box on StarPack and mounting surface to ensure weather tight integrity of electrical components.

7. Use weatherproof silicone sealant between junction box and mounting surface. Mount luminaire with supplied 8-32 x 1” screws.
8. Feed AC line into wiring compartment.
9. Wire the luminaire using NRTL listed wire connectors. See fig1 for wiring diagram.

PROCEED TO STEP 13

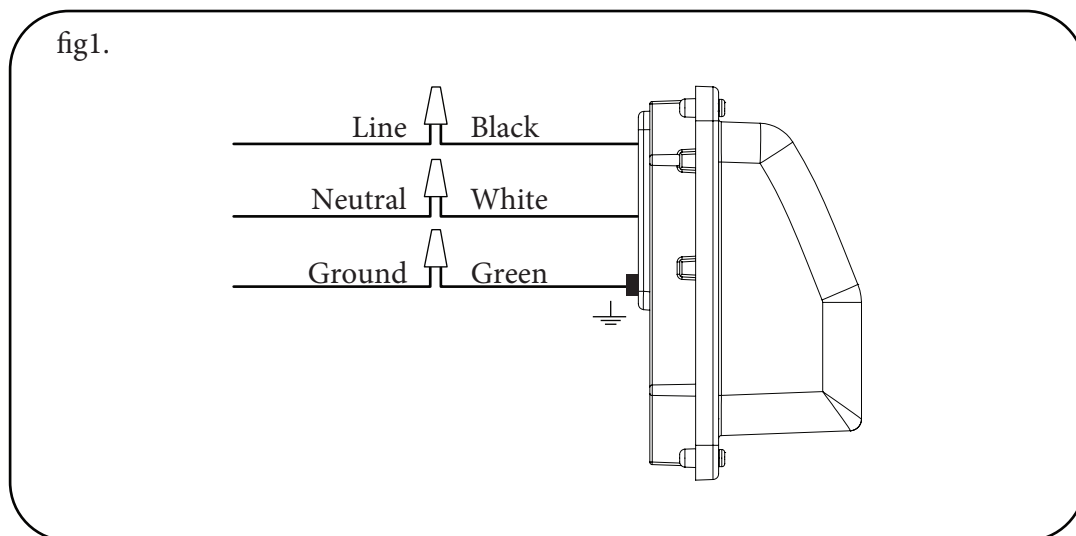
Wall Mount Conduit Feed



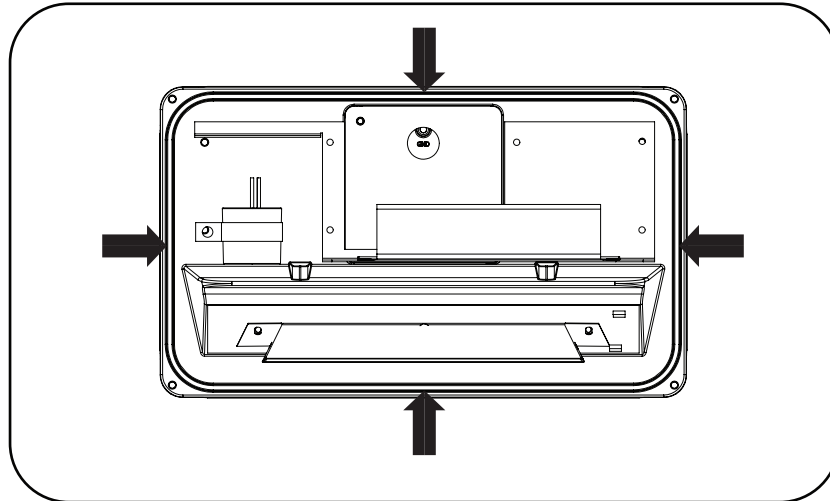
WARNING: Apply continuous bead of weatherproof silicone between junction box on StarPack and mounting surface. Use weatherproof conduit fitting to ensure weather tight integrity of electrical components.

10. Mount StarPack using hardware such as lag bolts and washers to mounting surface through knock-out holes in junction box.
11. Feed AC line into wiring compartment and secure conduit.
12. Wire the luminaire using NRTL listed wire connectors. See fig1 for wiring diagram.

PROCEED TO STEP 13



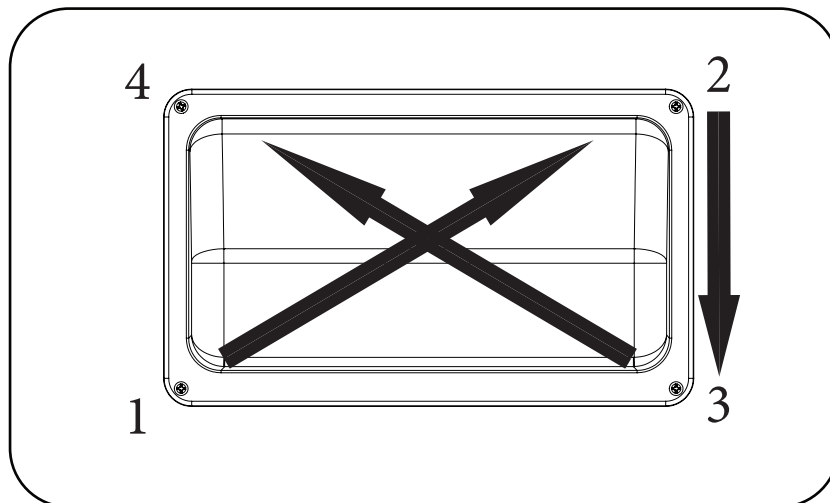
13. Ensure gasket is seated completely around perimeter of luminaire.



14. Install metal cover plate over wiring compartment.

15. Place polycarbonate cover on luminaire and loosely install the (4) screws to hold cover.

16. Fully tighten screws in a “X” pattern with 5/16” socket and ratchet to ensure cover is seated properly against the gasket.



17. Turn power on.