

⚠ WARNING

ALL MODELS:

- **THIS PRODUCT MUST BE INSTALLED IN ACCORDANCE WITH THE APPLICABLE INSTALLATION CODE BY A PERSON FAMILIAR WITH THE CONSTRUCTION AND OPERATION OF THE PRODUCT AND THE HAZARDS INVOLVED.**
CE PRODUIT DOIT ETRE INSTALLE SELON LE CODE D'INSTALLATION PERTINENT, PAR UNE PERSONNE QUI CONNAIT BIEN LE PRODUIT ET SON FONCTIONNEMENT AINSI QUE LES RISQUES INHERENTS.
- **DISCONNECT POWER PRIOR TO ANY INSTALLATION.**
DEBRANCHEZ LE COURANT AVANT TOUTE INSTALLATION.
- **CAP ALL WIRING CONNECTIONS WITH UL APPROVED WIRE CONNECTORS.**
COUVRIR TOUTES LES CABLES AVE DES CONNECTIONS APPROUVEES (UL).
- **VERIFY SUPPLY VOLTAGE MEETS LUMINAIRE LABEL SPECIFICATIONS.**
VERIFIEZ QUE LA TENSION SOIT COMPATIBLE AVEC LES CARACTERISTIQUES DU LUMINAIRE MARQUE SUR LETIQUETTE.
- **ALLOW FIXTURE TO COOL BEFORE TOUCHING HEATSINK OR LIGHT SOURCE.**
LAISSEZ LE PROJECTEUR REFOIDIR AVANT DE TOUCHER LE RADIATEUR OU LA SOURCE DE LUMIERE.
- **DO NOT ATTEMPT TO OPEN OR MAKE REPAIRS INSIDE LUMINAIRE.**
NE PAS TENTER DOUVIRIR OU DE FAIRE DES REPARATINS A L'INTERIEUR DU LUMINAIRE.
- **AVOID DIRECT VIEWING OF LIGHT SOURCE.**
EVITEZ DE REGARDER DIRECTMENT LA SOURCE LUMINEUSE.
- **THIS PRODUCT MUST BE INSTALLED BY A QUALIFIED ELECTRICIAN.**
CE PRODUIT DOIT ITRE INSTALLE PAR UN ELECTRICIEN QUALIFIE.
- **SUITABLE FOR UNDER-CABINET MOUNT.**
ADAPTE POUR SOUS-CABINET MOUNT.
- **SUITABLE FOR DAMP LOCATION.**
ADAOTE POUR DES ENDROITS HUMIDES.
- **MIN 105° C SUPPLY CONDUCTORS.**
MIN 105° C ALIMENTATION CONDUCTEURS

MODELS: SBM (CONTINUOUS ROW INSTALLATION)

- **SUITABLE FOR CONTINUOUS ROW MOUNTING.**
ADAPTE POUR CONTINU ROW MONTAGE.

Provided Parts List

The components have been packed to avoid damage during transit. Inspect the components to confirm there is no physical damage. Do not install damaged components. The carton contains the following:

- Starbeam (SBM)
- Mounting Brackets and Hardware (may be attached to fixture depending on mounting type)
- Lensing (shipped separate from fixtures for Continuous Row installations)
- Installation Manual

Mounting Options

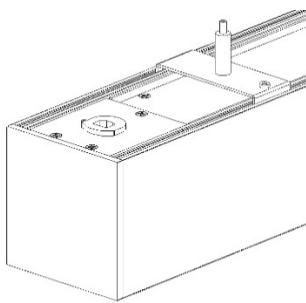
Inspect mounting location for damage. Make sure the structure can support the weight of the StarBeam fixture. Follow all UL, NEC and minimum load rating guidelines when selecting and installing mounting hardware for the fixture.

StarBeam Fixture Weight
4 ft. fixture: 10 lbs. max
8 ft. fixture: 20 lbs. max

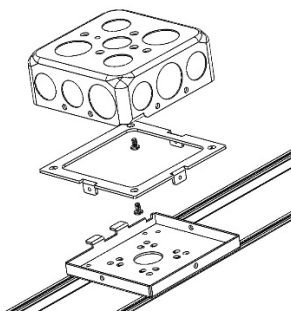
Pendant Mt.: Gripper accepts 1/16" aircraft cable. Adjust gripper location by loosening 4-40 x .313 screw and sliding into position anywhere along the top of the fixture.

Junction Box Mt.: Attach mounting plate to existing box. Attach fixture to mounting plate using 6-32 screws (mt. brkt is already attached to fixture). Depending on orientation, use (1) or (2) 6-32 screws to securely attach.

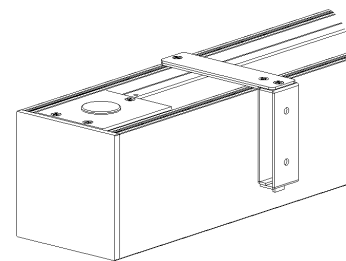
Wall Mt: Install anchors flush to drywall surface. Secure brkt to structure using appropriate hardware. If installing to a wall or ceiling with studs/joists at 16" apart, fixture can be installed directly without anchors.



Pendant Mt.



Junction Box Mt.



Wall Mt.

Individual Fixture Installation

1. Mount individual fixture to structure.
2. Power must be turned OFF prior to disconnecting or reconnecting the Starbeam fixture.
3. If fixture is not fitted with existing plug, connect fixture wiring to mains wires. Use only UL listed wiring devices. Ref (Fig. 1) for wiring. Purple and Gray leads are used for 0-10V dimming ONLY. Cap wires if not used.
4. Restore power and verify operation.

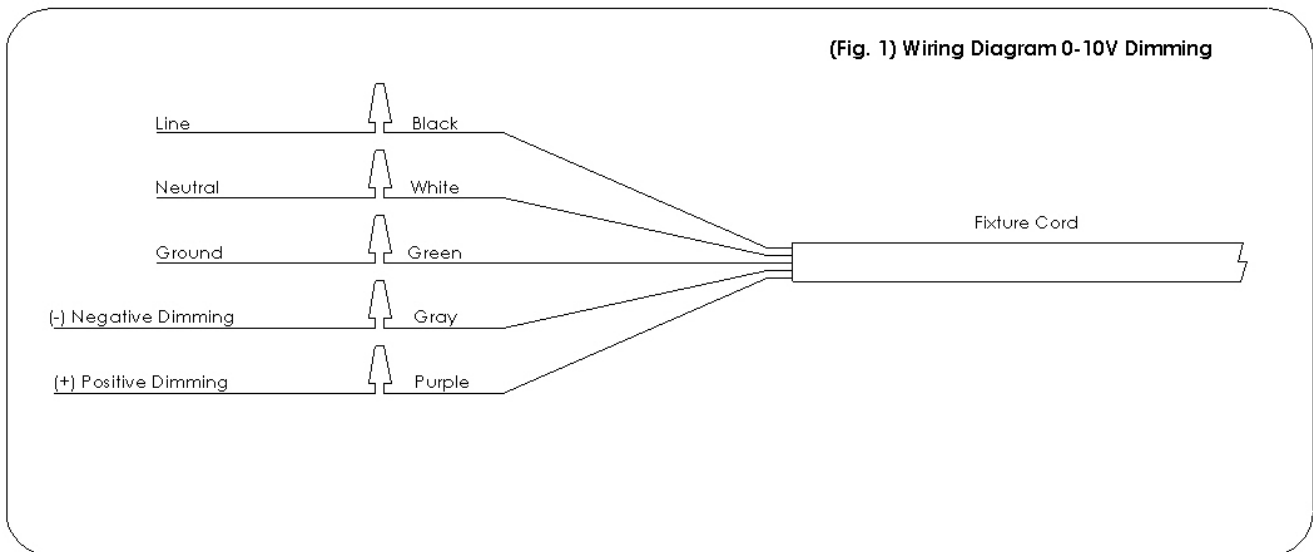


Fig. 1

Continuous Row Installation

1. Identify different fixture types and lensing for each row.
Starter Fixture: stripped wires/cord on one side, male connector on the other side.
Middle Fixture: female connector on one side, male connector on the other side.
End Fixture: female connector on one side, closed end cap on the other side.
Continuous Lensing: box labelled for the total length of the row.
2. Attach **Starter Fixture** to structure. Connect **Starter Fixture** wiring to line wire. Use only UL listed wiring devices. Ref (Wiring Diagram, Fig. 1 pg. 3). Mains wiring inside fixtures is rated 14 AWG. Mains wiring connected by installer must be rated for the load per (NEC) National Electric Code and/or local electric code.
3. Attach **Middle Fixture** or **End Fixture** depending on row length by compressing and rotating quarter turn fastner. (Fig. 2 & 3)
4. Connect wiring harness of fixture 1 to harness of fixture 2. Ref (Fig. 4)
5. Tuck harness into the fixture and slide the external sleeve from fixture 1 over to fixture 2. Ref (Fig. 5)
6. Line up slots in external sleeve with holes in fixture and lock external sleeve to both fixture 1 and fixture 2. Ref (Fig. 5 & 6)
7. Repeat steps 3 through 7 for additional fixtures.
8. Remove closed end cap from **End Fixture**.
9. Pull continuous lens from **End Fixture** to **Starter Fixture**.
10. Fasten closed end cap to **End Fixture**.
11. Restore power and verify operation.

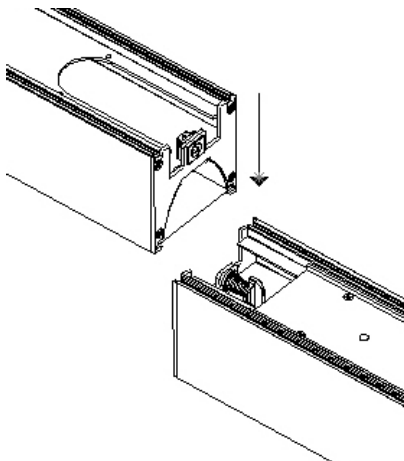


Fig. 2

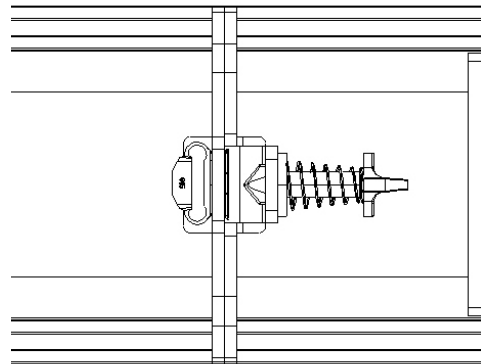
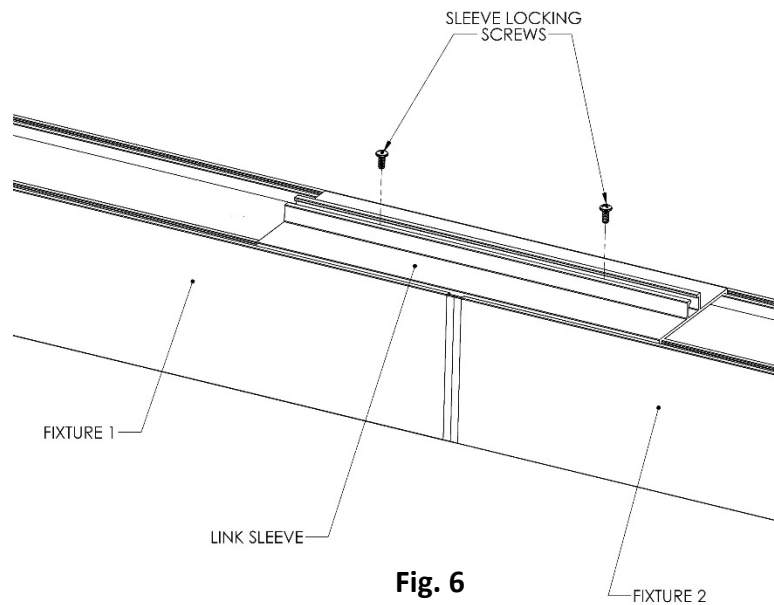
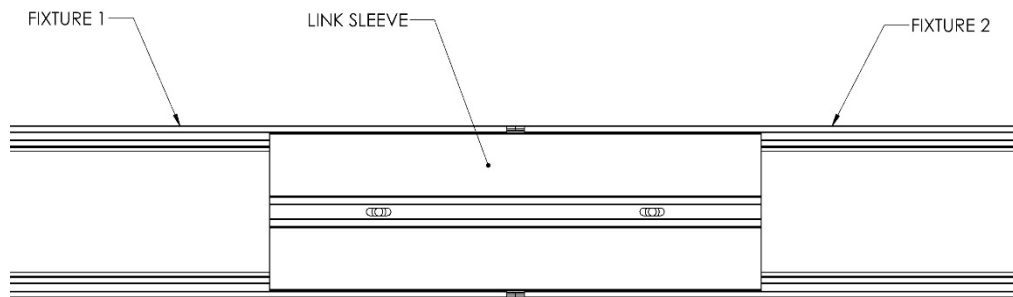
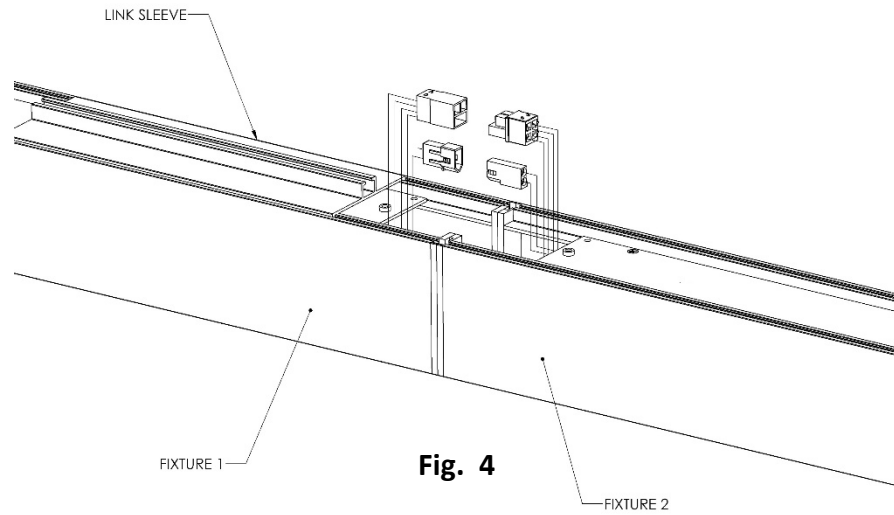


Fig. 3



Driver Replacement (StarBeam Direct)

1. Power must be turned OFF prior to disassembly of the Starbeam fixture.
2. Remove three #6 flat head screws securing the power inlet plate. (Fig. 7)
3. Remove four #6 flat head screws and lift up the top cover plate. (Fig. 8)
4. Flip the cover plate to reveal the driver underneath. Remove two #10 nuts securing the driver. (Fig. 9)

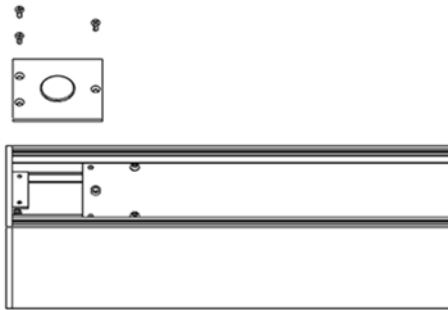


Fig7

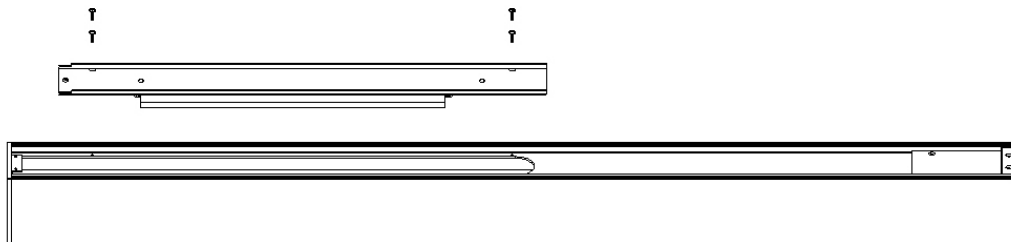


Fig. 8

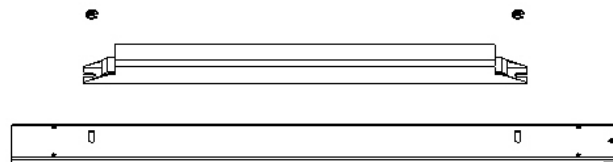


Fig. 9

Driver Replacment (StarBeam Direct/Indirect)

1. Power must be turned OFF prior to disassembly of the Starbeam fixture.
2. Remove three #6 flat head screws securing the power inlet plate on both sides of fixture. (Fig. 10)
3. Remove six #6 flat head screws and lift up the uplight component. (Fig. 11)
4. Flip the uplight module to reveal the driver underneath. Remove two #8 nuts securing the driver. (Fig. 12)

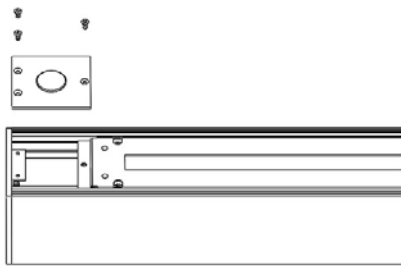


Fig. 10

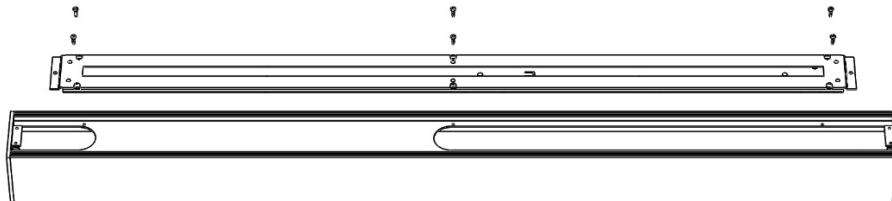


Fig. 11

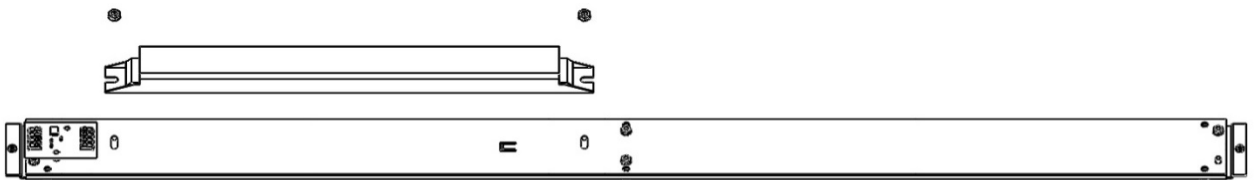


Fig. 12