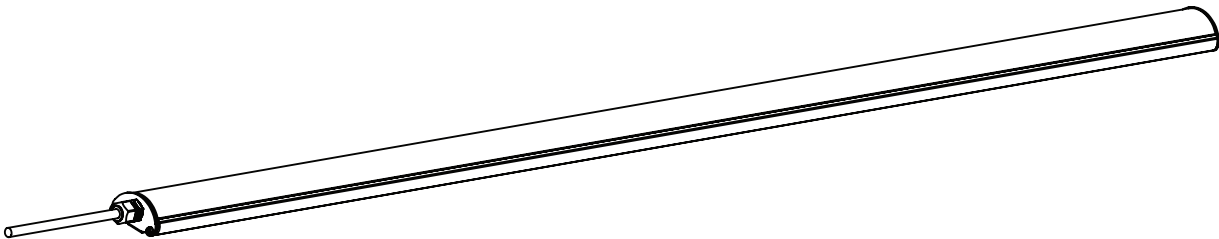


IMPORTANT: Read carefully before installation and retain for future reference.
NOTE: Installation must be conducted by licensed electrician.

StarBar LED Luminaire



MODEL #'s

SB-N-x

SB-W-x

1: Introduction

The light is designed to illuminate commercial, industrial and institutional locations.

StarBar luminaire can be operated from any nominal 120-277V, 50/60Hz AC supply without any variation in light output.

Models SB-x are all suitable for damp location per UL 2108.

2: Installation Instructions:

1. Shut off power.
2. Inspect mounting location for damage. Make sure it can support the weight of the StarBar luminaire.
3. Remove StarBar luminaire and LED driver from package and inspect for damage.
4. Mount LED driver enclosure to desired surface.



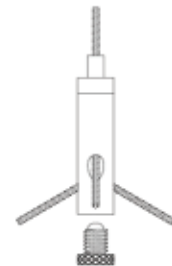
(Figure A)



(Figure B)

Pendant Mount: Instruction 6-10

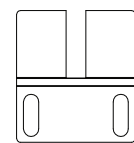
6. Locate Griplock Gripper (Figure A) attached to luminaire.
7. Remove 1/16" Aircraft Cable with Gated Hook Sleeve (Figure B) from package and inspect for damage.
8. Insert Aircraft Cable through Gripper to attain desired mounting height (Figure C). Tie knot using excess cable that passes through Gripper.



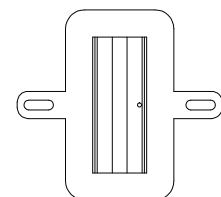
(Figure C)



(Figure D)



(Figure E)



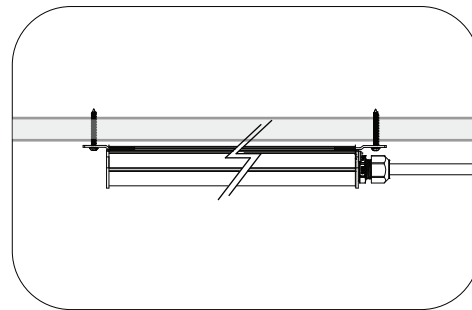
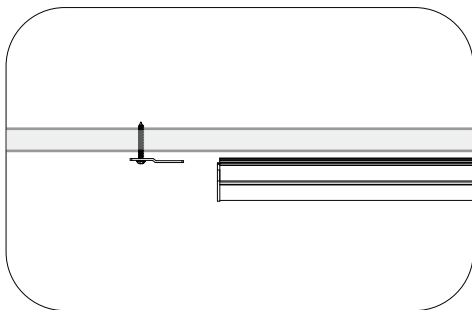
(Figure G)

NOTE: Grippers work best when Cable follows their centerline.
Avoid angled pulls in excess of 5°.

9. To re-adjust, simply depress the plunger (on top of the Gripper) with your fingertip and move the Cable to a new position. Release the plunger to lock (Figure D).
10. Mount Aircraft Cable to ceiling structure.

End Mount Surface: Instruction 11-14

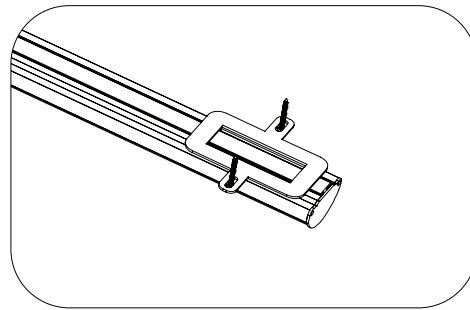
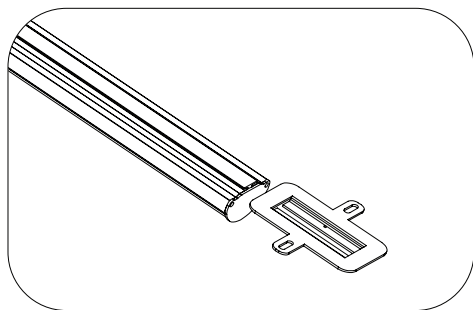
11. Locate surface mount end bracket (Figure E).
12. Attach 1st mount bracket (Figure E) to mounting surface. Tighten screws until bracket is approximately 1/8" off mounting surface. Feed StarBar into slot of bracket (shown below).
13. Slide 2nd mount bracket onto back of StarBar and attach to mount surface. Tighten screws until bracket is flush with mount surface.



14. If necessary, return to 1st mount bracket to tighten.

Adjustable Mount Surface: Instruction 15-17

15. Locate adjustable surface mount bracket (Figure G).
16. Slide adjustable bracket onto back side of StarBar. Secure with no.4 set screw.
17. Attach to mounting surface.



Wiring Instructions (All Models):

18. Connect AC power to cord coming from driver enclosure according to the the local electrical code. Use only UL listed wiring devices.
19. Restore power and verify operation.