

**▲WARNING**

**ALL MODELS:**

- **THIS PRODUCT MUST BE INSTALLED IN ACCORDANCE WITH THE APPLICABLE INSTALLATION CODE BY A PERSON FAMILIAR WITH THE CONSTRUCTION AND OPERATION OF THE PRODUCT AND THE HAZARDS INVOLVED.**  
*CE PRODUIT DOIT ETRE INSTALLE SELON LE CODE D'INSTALLATION PERTINENT, PAR UNE PERSONNE QUI CONNAIT BIEN LE PRODUIT ET SON FONCTIONNEMENT AINSI QUE LES RISQUES INHERENTS.*
- **DISCONNECT POWER PRIOR TO ANY INSTALLATION.**  
*DEBRANCHEZ LE COURANT AVANT TOUTE INSTALLATION.*
- **CAP ALL WIRING CONNECTIONS WITH UL APPROVED WIRE CONNECTORS**  
*COUVRIR TOUTES LES CABLES AVE DES CONNECTIONS APPROUVES (UL).*
- **VERIFY SUPPLY VOLTAGE MEETS LUMINAIRE LABEL SPECIFICATIONS.**  
*VERIFIEZ QUE LA TENSION SOIT COMPATIBLE AVEC LES CARACTERISTIQUES DU LUMINAIRE MARQUE SUR LETIQUETTE.*
- **ALLOW FIXTURE TO COOL BEFORE TOUCHING HEATSINK OR LIGHT SOURCE.**  
*LAISSEZ LE PROJECTEUR REFOIDIR AVANT DE TOUCHER LE RADIATEUR OU LA SOURCE DE LUMIERE.*
- **DO NOT ATTEMPT TO OPEN OR MAKE REPAIRS INSIDE LUMINAIRE.**  
*NE PAS TENTER DOUVIRIR OU DE FAIRE DES REPARATINS A LINTERIEUR DU LUMINAIRE.*
- **AVOID DIRECT VIEWING OF LIGHT SOURCE**  
*EVITEZ DE REGARDER DIRECTMENT LA SOURCE LUMINEUSE.*
- **THIS PRODUCT MUS BE INSTALLED BY A QUALIFIED ELECTRICIAN.**  
*CE PRODUIT DOIT ITRE INSTALLE PAR UN ELECTRICIEN QUALIFIE.*
- **SUITABLE FOR UNDER-CABINET MOUNT.**  
*ADAPTE POUR SOUS-CABINET MOUNT.*
- **SUITABLE FOR DAMP LOCATION.**  
*ADAOTE POUR DES ENDROITS HUMIDES.*
- **MIN 105° C SUPPLY CONDUCTORS**  
*MIN 105° C ALIMENTATION CONDUCTEURS*

**MODELS: SP-V2-Dxxlxx (CONTINUOUS ROW INSTALLATION)**

- **SUITABLE FOR CONTINUOUS ROW MOUNTING**  
*ADAPTE POUR CONTINU ROW MONTAGE*

### **Provided Parts List**

The components have been packed to avoid damage during transit. Inspect the components to confirm there is no physical damage. Do not install damaged components. The carton contains the following:

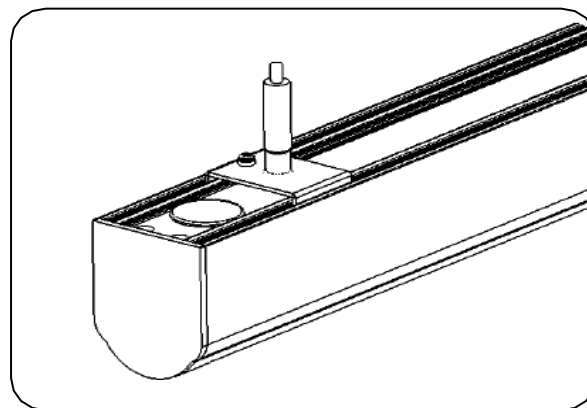
- Nova 2 Direct/Indirect Fixture (SP-V2-Dxxlxx-X)
- Mounting Brackets and Hardware (may be attached to fixture depending on mounting type)
- Lens Joiner Bands (shipped separate from fixtures for Continuous Row installations)
- Installation Manual

### **Mounting Options**

Inspect mounting location for damage. Make sure the structure can support the weight of the Nova 2 fixture. Follow all UL, NEC and minimum load rating guidelines when selecting and installing mounting hardware for the fixture.

<b>Nova 2 Fixture Weight</b>
4 ft. fixture: 5 lbs. max
8 ft. fixture: 10 lbs. max

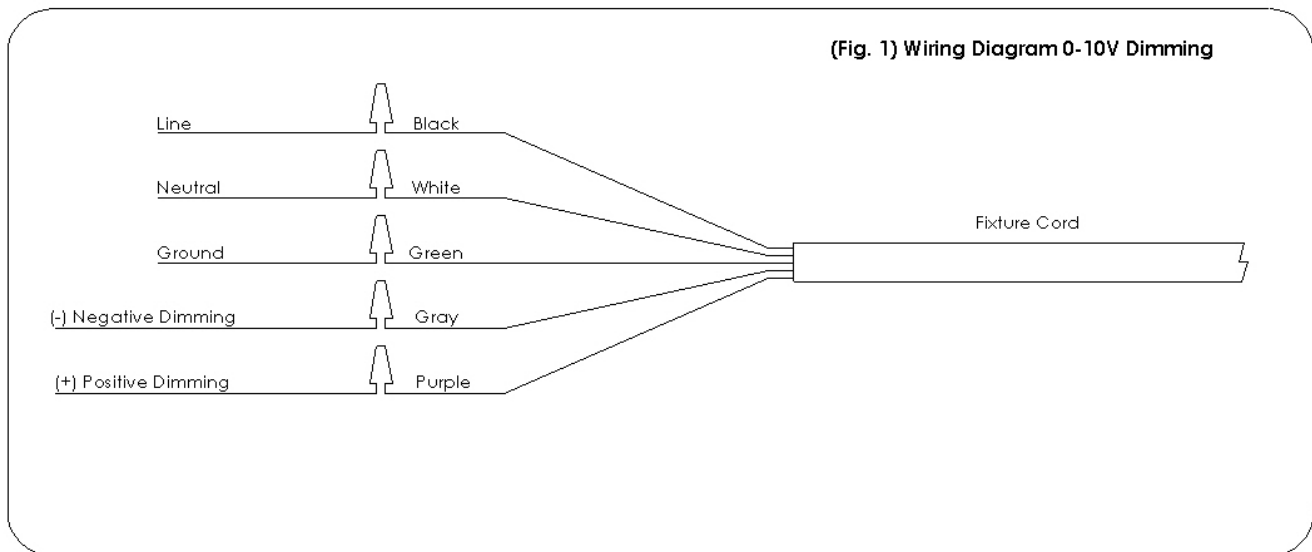
**Pendant Mount.:** Gripper accepts 1/16" aircraft cable. Adjust gripper location by loosening 4-40 x .313" screw and sliding into position anywhere along the top of the fixture.



**Pendant Mount**

## Individual Fixture Installation

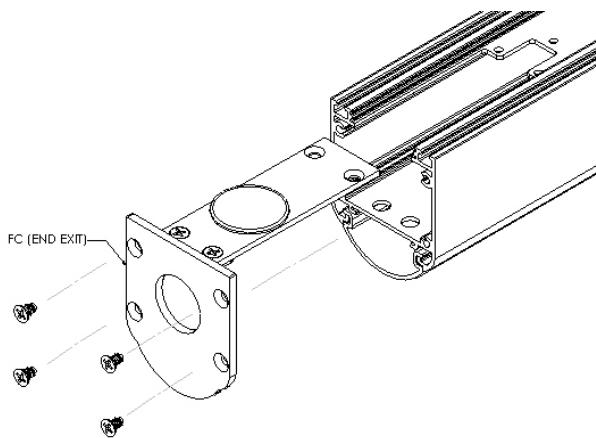
1. Mount individual fixture to structure.
2. Power must be turned OFF prior to disconnecting or reconnecting the Nova 2 Direct/Indirect fixture.
3. If fixture is not fitted with existing plug, connect fixture wiring to line wires. Use only UL listed wiring devices. Ref (Fig. 1) for wiring. Purple and Gray leads are used for 0-10V dimming ONLY. Cap wires if not used.
4. Restore power and verify operation.



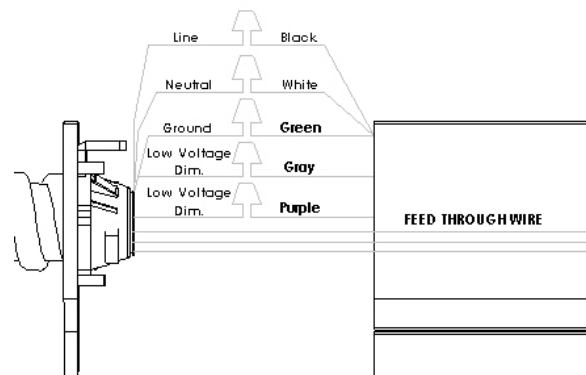
**Fig. 1**

## Feed Conduit (FC) Installation

1. Power must be turned OFF prior to disconnecting or reconnecting the Nova 2 fixture.
2. Remove (4) #6 flat head screws securing end caps on both sides of fixture. Ref (Fig. 2).
3. Feed wires through fixture and connect 1/2" conduit through the 7/8" hole located in endcap. Ref (Fig. 2)
4. Splice Nova 2 fixture wiring to line wires, Use only UL listed wiring devices. Ref (Fig. 3) for wiring diagram. Purple and Gray leads are used for low voltage 0-10 dimming fixtures ONLY. Cap wires if present and not being used.
5. Re-attach endcaps on both sides of the fixture and repeat steps 2-5 as necessary for following fixtures.
6. Restore power and verify operation.



**Fig. 2**



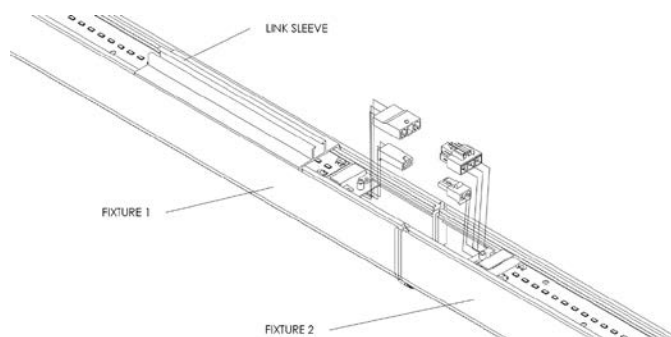
**Fig. 3**

## Continuous Row Installation

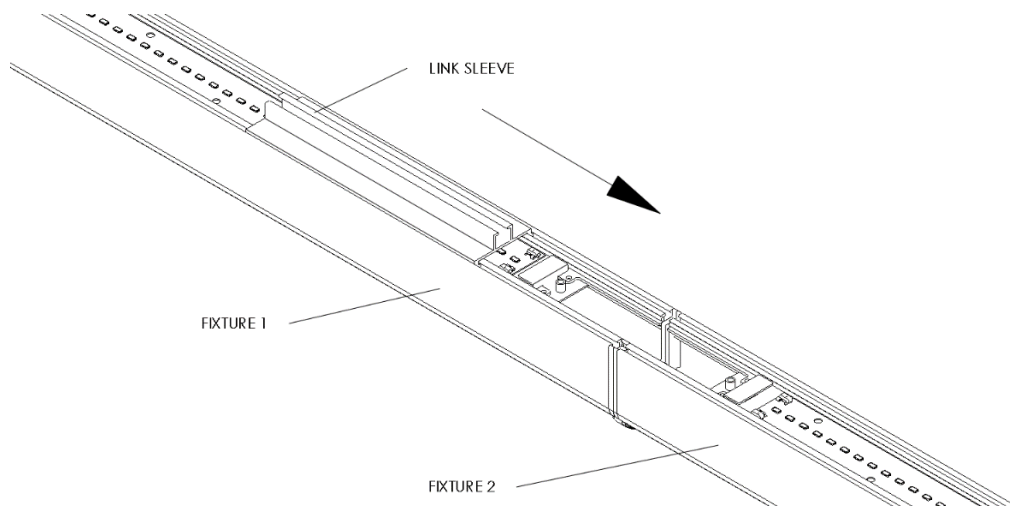
1. Power must be turned OFF prior to disconnecting or reconnecting the Nova 2 fixture.

Max Length per Fixture Run	
Voltage	Standard Output
120-276	102 Ft
277	238 Ft

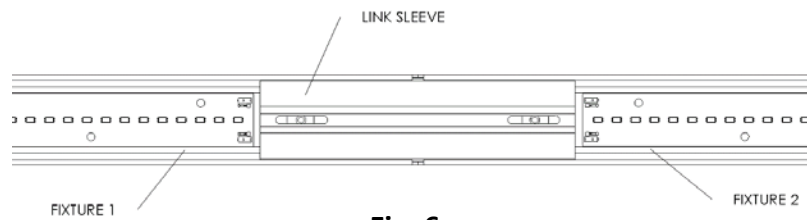
2. Identify different fixture types for each row.  
**Starter Fixture:** stripped wires/cord on one side, male connector on the other side.  
**Middle Fixture:** female connector on one side, male connector on the other side.  
**End Fixture:** female connector on one side, closed end cap on the other side.  
**Lens Joiner Bands:** Diffused band placed between lenses to eliminate the lensing gap between fixtures.
3. Attach **Starter Fixture** to structure. Connect **Starter Fixture** wiring to line wire. Use only UL listed wiring devices. Ref (Wiring Diagram, Fig. 1 pg. 3). Mains wiring inside fixtures is rated 14 AWG. Mains wiring connected by installer must be rated for the load per (NEC) National Electric Code and/or local electric code.
4. Support **Middle Fixture** or **End Fixture** depending on row length.
5. Connect wiring harness of fixture 1 to harness of fixture 2. Ref (Fig. 4)
6. Tuck harness into the fixture and slide the external sleeve from fixture 1 over to fixture 2. Ref (Fig. 5)
7. Line up slots in external sleeve with holes in fixture and lock external sleeve to both fixture 1 and fixture 2. Ref (Fig. 6 & 7)
8. Place lens joiner band between lenses. Confirm engagement with both end caps.
9. Repeat steps 3 through 7 for additional fixtures.
10. Restore power and verify operation.



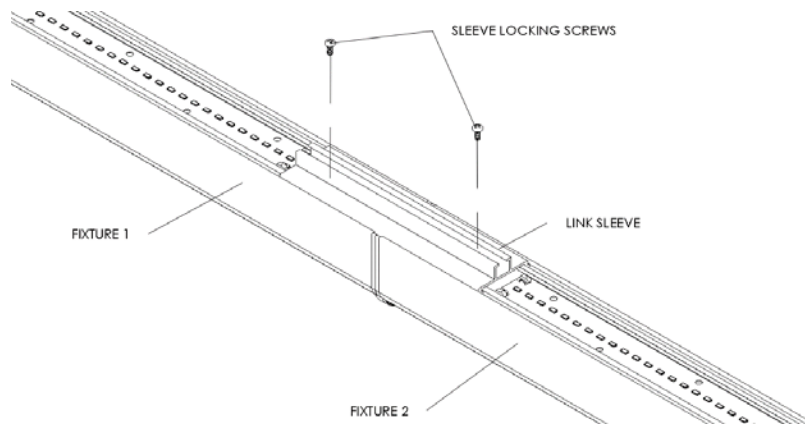
**Fig. 4**



**Fig. 5**



**Fig. 6**



**Fig. 7**

## **Battery Backup and Night Light Options**

### **B07A/B10A – Battery Backup with Unswitched Line (No – Night Light)**

Unswitched power provided to all battery backup fixtures in row. If power fails on the unswitched line, all battery backup fixtures come on for 90 minutes. The unswitched and switched lines must be on the same phase.

Black – Switched Line  
Blue – Unswitched Line  
White – Neutral  
Green – Ground  
Purple – Positive 0-10V Dimming (Optional)  
Gray – Negative 0-10V Dimming (Optional)

### **B07B/B10B – Battery Backup with Night Light Option**

Blue wire powers night light feature. Any time that power fails on night light input, the battery is engaged. The night lights cannot be turned off without draining the battery. The black wire is used to provide mains wiring to fixtures without battery backup or night light functionality. Fixtures running on the black line can be turned off without affecting the battery.

Black – Switched Line  
Blue – Unswitched Line (with Night Light)  
White – Neutral  
Green – Ground  
Purple – Positive 0-10V Dimming (Optional)  
Gray – Negative 0-10V Dimming (Optional)

### **NL – Night Light without Battery Backup**

Individual fixtures in a run can be designated as A or B fixtures. Both A and B fixtures need to be on the same phase.

Black – A Fixture  
Blue – B Fixture  
White – Neutral  
Green – Ground  
Purple – Positive 0-10V Dimming (Optional)  
Gray – Negative 0-10V Dimming (Optional)